

LX60

LX65

LX72

Gas burners

MANUAL OF INSTALLATION - USE - MAINTENANCE

CIB UNIGAS

BURNERS - BRUCIATORI - BRULERS - BRENNER - QUEMADORES - ГОРЕЛКИ

TABLE OF CONTENTS

WARNINGS	3
PART I: INSTALLATION	5
BURNERS SPECIFICATIONS	5
<i>Burner model identification</i>	5
<i>Specifications</i>	5
<i>Country and usefulness gas categories</i>	6
<i>Matching the burner to the boiler</i>	7
<i>Overall dimensions</i>	8
<i>Performance curves</i>	11
MOUNTINGS AND CONNECTIONS	12
<i>Packing</i>	12
GAS TRAIN CONNECTIONS	13
<i>Assembling the gas grain</i>	14
<i>Pressure adjusting range</i>	16
<i>Gas Proving System VPS504</i>	16
ELECTRICAL CONNECTIONS	18
<i>Note on electrical supply</i>	18
<i>Connection diagram</i>	19
<i>Rotation of fan motor</i>	19
ADJUSTMENTS	20
<i>Combustion head pressure curves vs. the gas flow rate</i>	20
<i>Measuring the gas pressure in the combustion head</i>	20
<i>Gas pressure in combustion head vs. gas flow rate curves</i>	21
<i>Adjusting air and gas flow rates</i>	22
<i>Startup Output</i>	22
<i>Adjustments - brief description</i>	22
<i>Adjusting procedure</i>	23
<i>Progressive burners</i>	26
<i>Fully modulating burners</i>	27
<i>Calibration of air and gas pressure switches</i>	27
<i>Calibration of air pressure switch</i>	27
<i>Calibration of low gas pressure switch</i>	27
<i>Adjusting the high gas pressure switch (when provided)</i>	27
PART II: OPERATION	28
OPERATION	29
PART III: MAINTENANCE	31
ROUTINE MAINTENANCE	31
<i>Removing the filter in the MULTIBLOC DUNGS MB-DLE 415 - 420</i>	31
<i>Inspection and replacement of the MULTIBLOC DUNGS MBC..SE filter (Threaded valves group)</i>	32
<i>Gas filter maintenance</i>	32
<i>Adjusting the electrodes</i>	33
<i>Replacing the electrodes</i>	33
<i>Checking the detection current</i>	34
<i>Seasonal stop</i>	34
TROUBLESHOOTING	35
BURNER EXPLODED VIEW	36
SPARE PARTS	40
WIRING DIAGRAMS	42
APPENDIX	

WARNINGS

THIS MANUAL IS SUPPLIED AS AN INTEGRAL AND ESSENTIAL PART OF THE PRODUCT AND MUST BE DELIVERED TO THE USER.

INFORMATION INCLUDED IN THIS SECTION ARE DEDICATED BOTH TO THE USER AND TO PERSONNEL FOLLOWING PRODUCT INSTALLATION AND MAINTENANCE.

THE USER WILL FIND FURTHER INFORMATION ABOUT OPERATING AND USE RESTRICTIONS, IN THE SECOND SECTION OF THIS MANUAL. WE HIGHLY RECOMMEND TO READ IT.

CAREFULLY KEEP THIS MANUAL FOR FUTURE REFERENCE..

1) GENERAL INTRODUCTION

- The equipment must be installed in compliance with the regulations in force, following the manufacturer's instructions, by qualified personnel.
- Qualified personnel means those having technical knowledge in the field of components for civil or industrial heating systems, sanitary hot water generation and particularly service centres authorised by the manufacturer.
- Improper installation may cause injury to people and animals, or damage to property, for which the manufacturer cannot be held liable.
- Remove all packaging material and inspect the equipment for integrity.

In case of any doubt, do not use the unit - contact the supplier.

The packaging materials (wooden crate, nails, fastening devices, plastic bags, foamed polystyrene, etc), should not be left within the reach of children, as they may prove harmful.

- Before any cleaning or servicing operation, disconnect the unit from the mains by turning the master switch OFF, and/or through the cut-out devices that are provided.
- Make sure that inlet or exhaust grilles are unobstructed.
- In case of breakdown and/or defective unit operation, disconnect the unit. Make no attempt to repair the unit or take any direct action.

Contact qualified personnel only.

Units shall be repaired exclusively by a servicing centre, duly authorised by the manufacturer, with original spare parts.

Failure to comply with the above instructions is likely to impair the unit's safety.

To ensure equipment efficiency and proper operation, it is essential that maintenance operations are performed by qualified personnel at regular intervals, following the manufacturer's instructions.

- When a decision is made to discontinue the use of the equipment, those parts likely to constitute sources of danger shall be made harmless.
- In case the equipment is to be sold or transferred to another user, or in case the original user should move and leave the unit behind, make sure that these instructions accompany the equipment at all times so that they can be consulted by the new owner and/or the installer.
- For all the units that have been modified or have options fitted then original accessory equipment only shall be used.
- This unit shall be employed exclusively for the use for which it is meant. Any other use shall be considered as improper and, therefore, dangerous.

The manufacturer shall not be held liable, by agreement or otherwise, for damages resulting from improper installation, use and failure to comply with the instructions supplied by the manufacturer.

2) SPECIAL INSTRUCTIONS FOR BURNERS

- The burner should be installed in a suitable room, with ventilation openings complying with the requirements of the regulations in force, and sufficient for good combustion.
- Only burners designed according to the regulations in force should be used.
- This burner should be employed exclusively for the use for which it was designed.
- Before connecting the burner, make sure that the unit rating is the same as delivery mains (electricity, gas oil, or other fuel).
- Observe caution with hot burner components. These are, usually, near to the flame and the fuel pre-heating system, they become hot during the unit operation and will remain hot for some time after the burner has stopped.

When the decision is made to discontinue the use of the burner, the user

shall have qualified personnel carry out the following operations:

- a Remove the power supply by disconnecting the power cord from the mains.
- b) Disconnect the fuel supply by means of the hand-operated shut-off valve and remove the control handwheels from their spindles.

Special warnings

- Make sure that the burner has, on installation, been firmly secured to the appliance, so that the flame is generated inside the appliance firebox.
- Before the burner is started and, thereafter, at least once a year, have qualified personnel perform the following operations:
 - a set the burner fuel flow rate depending on the heat input of the appliance;
 - b set the flow rate of the combustion-supporting air to obtain a combustion efficiency level at least equal to the lower level required by the regulations in force;
 - c check the unit operation for proper combustion, to avoid any harmful or polluting unburnt gases in excess of the limits permitted by the regulations in force;
 - d make sure that control and safety devices are operating properly;
 - e make sure that exhaust ducts intended to discharge the products of combustion are operating properly;
 - f on completion of setting and adjustment operations, make sure that all mechanical locking devices of controls have been duly tightened;
 - g make sure that a copy of the burner use and maintenance instructions is available in the boiler room.
- In case of a burner shut-down, reset the control box by means of the RESET pushbutton. If a second shut-down takes place, call the Technical Service, **without trying to RESET further.**
- The unit shall be operated and serviced by qualified personnel only, in compliance with the regulations in force.

3) GENERAL INSTRUCTIONS DEPENDING ON FUEL USED

3a) ELECTRICAL CONNECTION

- For safety reasons the unit must be efficiently earthed and installed as required by current safety regulations.
 - It is vital that all safety requirements are met. In case of any doubt, ask for an accurate inspection of electricians by qualified personnel, since the manufacturer cannot be held liable for damages that may be caused by failure to correctly earth the equipment.
 - Qualified personnel must inspect the system to make sure that it is adequate to take the maximum power used by the equipment shown on the equipment rating plate. In particular, make sure that the system cable cross section is adequate for the power absorbed by the unit.
 - No adaptors, multiple outlet sockets and/or extension cables are permitted to connect the unit to the electric mains.
 - An omnipolar switch shall be provided for connection to mains, as required by the current safety regulations.
 - The use of any power-operated component implies observance of a few basic rules, for example:
 - do not touch the unit with wet or damp parts of the body and/or with bare feet;
 - do not pull electric cables;
 - do not leave the equipment exposed to weather (rain, sun, etc.) unless expressly required to do so;
 - do not allow children or inexperienced persons to use equipment;
 - The unit input cable shall not be replaced by the user.
- In case of damage to the cable, switch off the unit and contact qualified personnel to replace.
- When the unit is out of use for some time the electric switch supplying all the power-driven components in the system (i.e. pumps, burner, etc.) should be switched off.

3b) FIRING WITH GAS, LIGHT OIL OR OTHER FUELS

GENERAL

- The burner shall be installed by qualified personnel and in compliance with regulations and provisions in force; wrong installation can cause injuries to people and animals, or damage to property, for which the manufacturer cannot be held liable.
- Before installation, it is recommended that all the fuel supply system pipes be carefully cleaned inside, to remove foreign matter that might impair the burner operation.
- Before the burner is commissioned, qualified personnel should inspect the following:
 - a the fuel supply system, for proper sealing;
 - b the fuel flow rate, to make sure that it has been set based on the firing rate required of the burner;
 - c the burner firing system, to make sure that it is supplied for the designed fuel type;
 - d the fuel supply pressure, to make sure that it is included in the range shown on the rating plate;
 - e the fuel supply system, to make sure that the system dimensions are adequate to the burner firing rate, and that the system is equipped with all the safety and control devices required by the regulations in force.
- When the burner is to remain idle for some time, the fuel supply tap or taps should be closed.

SPECIAL INSTRUCTIONS FOR USING GAS

Have qualified personnel inspect the installation to ensure that:

- a the gas delivery line and train are in compliance with the regulations and provisions in force;
 - b all gas connections are tight;
 - c the boiler room ventilation openings are such that they ensure the air supply flow required by the current regulations, and in any case are sufficient for proper combustion.
- Do not use gas pipes to earth electrical equipment.
 - Never leave the burner connected when not in use. Always shut the gas valve off.
 - In case of prolonged absence of the user, the main gas delivery valve to the burner should be shut off.

Precautions if you can smell gas

- a do not operate electric switches, the telephone, or any other item likely to generate sparks;
 - b immediately open doors and windows to create an air flow to purge the room;
 - c close the gas valves;
 - d contact qualified personnel.
- Do not obstruct the ventilation openings of the room where gas appliances are installed, to avoid dangerous conditions such as the development of toxic or explosive mixtures.

DIRECTIVES AND STANDARDS

Gas burners

European directives:

- Directive 90/396/CEE - Gas Appliances;
- Directive 2006/95/EC on low voltage;
- Directive 2004/108/CEE on electromagnetic compatibility

Harmonised standards :

- UNI EN 676 (Gas Burners);
- CEI EN 60335-1(Household and similar electrical appliances - Safety. Part 1: General requirements;
- EN 50165 (Electrical equipment of non-electric appliances for household and similar purposes. Safety requirements.

Light oil burners

European directives:

- Directive 2006/95/EC on low voltage;
- Directive 2004/108/CEE on electromagnetic compatibility

Harmonised standards :

- CEI EN 60335-1(Household and similar electrical appliances - Safety. Part 1: General requirements;
- EN 50165 (Electrical equipment of non-electric appliances for household and similar purposes. Safety requirements.

National standards :

- UNI 7824: Monobloc nebulizer burners for liquid fuels. Characteristics and test methods

Heavy oil burners

European directives:

- Directive 2006/95/EC on low voltage;
- Directive 2004/108/CEE on electromagnetic compatibility

Harmonised standards :

- CEI EN 60335-1 Household and similar electrical appliances - SafetyPart 1: General requirements;
- EN 50165 Electrical equipment of non-electric appliances for household and similar purposes. Safety requirements.

National standards :

- UNI 7824: Monobloc nebulizer burners for liquid fuels. Characteristics and test methods

Gas - Light oil burners

European directives:

- Directive 90/396/CEE Gas Appliances;
- Directive 2006/95/EC on low voltage;
- Directive 2004/108/CEE on electromagnetic compatibility

Harmonised standards :

- UNI EN 676 Gas Burners
- CEI EN 60335-1(Household and similar electrical appliances - Safety. Part 1: General requirements;
- EN 50165 Electrical equipment of non-electric appliances for household and similar purposes. Safety requirements.

National standards :

- UNI 7824: Monobloc nebulizer burners for liquid fuels. Characteristics and test methods

Gas - Heavy oil burners

European directives:

- Directive 90/396/CEE - Gas Appliances;
- Directive 2006/95/EC on low voltage;
- Directive 2004/108/CEE on electromagnetic compatibility

Harmonised standards :

- UNI EN 676 (Gas Burners);
- CEI EN 60335-1(Household and similar electrical appliances - Safety. Part 1: General requirements;
- EN 50165 Electrical equipment of non-electric appliances for household and similar purposes. Safety requirements.

National standards :

- UNI 7824: Monobloc nebulizer burners for liquid fuels. Characteristics and test methods

PART I: INSTALLATION

BURNERS SPECIFICATIONS

Burner model identification

Burners are identified by burner type and model. Burner model identification is described as follows.

Type	LX72	Model	M-	AB.	S.	.*	A.	0.	50
	(1)		(2)	(3)	(4)	(5)	(6)	(7)	(8)
(1) BURNER TYPE	LX60 - LX65 - LX72								
(2) FUEL	M - Natural gas								
(3) OPERATION	AB - Double stage PR - Progressive MD - Fully modulating								
(4) BLAST TUBE	S - standard L - extended								
(5) DESTINATION COUNTRY	* - see data plate								
(6) BURNER VERSION	A - Standard								
(7) EQUIPMENT	0 = 2 gas valves 1 = 2 Gas valves + gas proving system (optional)								
(8) GAS CONNECTION	40 = Rp1 $\frac{1}{2}$ 50 = Rp2 65 = DN65 80 = DN80								

Specifications

BURNERS		LX60 M-...0.40	LX60 M-...0.50	LX60 M-...0.65
Output	min. - max kW	165 - 540	165 - 720	165 - 720
Fuel		Natural gas		
Category		(see next paragraph)		
Gas rate	min. - max Stm ³ /h	17.5 - 57	17.5 - 76	17.5 - 76
Gas pressure	min. - max. mbar	(see Note 2)		
Power supply		400V 3N ~ 50Hz		
Total power consumption	kW	1.6		
Electric motor)	kW	1.1		
Protection		IP40		
Approx. weight	kg	55	55	70
Operation		Two stages - Progressive - Fully modulating		
Valves size / Gas connection		1 $\frac{1}{2}$ " / Rp1 $\frac{1}{2}$	2" / Rp2	2 $\frac{1}{2}$ " / DN65
Operating temperature	°C	-10 ÷ +50		
Storage Temperature	°C	-20 ÷ +60		
Working service *		Intermittent		

BURNERS		LX65 M-...0.50	LX65 M-...0.65
Output	min. - max kW	270 - 970	
Fuel		Natural gas	
Category		(see next paragraph)	
Gas rate	min. - max Stm ³ /h	29 - 103	
Gas pressure	min. - max. mbar	(see Note 2)	
Power supply		400V 3N ~ 50Hz	
Total power consumption	kW	2	
Electric motor)	kW	1.5	
Protection		IP40	
Approx. weight	kg	80	95
Operation		Two stages - Progressive - Fully modulating	
Valves size / Gas connection		2" / Rp2	2 $\frac{1}{2}$ " / DN65
Operating temperature	°C	-10 ÷ +50	
Storage Temperature	°C	-20 ÷ +60	
Working service *		Intermittent	

BURNERS		LX72 M-...0.50	LX72 M-...0.65	LX72 M-...0.80
Output	min. - max kW	241 - 1040		
Fuel		Natural gas		
Category		(see next paragraph)		
Gas rate	min.- max Stm ³ /h	25.5 - 110		
Gas pressure	min. - max. mbar	(see Note 2)		
Power supply		400V 3N ~ 50Hz		
Total power consumption	kW	2.7		
Electric motor)	kW	2.2		
Protection		IP40		
Approx. weight	kg	85	105	115
Operation		Two stages - Progressive - Fully modulating		
Valves size / Gas connection		2" / Rp2	2" _{1/2} / DN65	3" / DN80
Operating temperature	°C	-10 ÷ +50		
Storage Temperature	°C	-20 ÷ +60		
Working service *		Intermittent		

Note1:	All gas flow rates are referred to Stm³/h (1013 mbar absolute pressure, 15 °C temperature) and are valid for G20 gas (net calorific value H_i = 34.02 MJ/Stm³).
Note2:	Maximum gas pressure = 360mbar (with Rp1" 1/2 . 2" Dungs MBDLE../MBC.. valves) = 500mbar (with DN65/80 and Siemens VGD gas valves / DUNGS MBC.. gas valves). Minimum gas pressure = see gas curves.

* **NOTE ON THE WORKING SERVICE:** the control box automatically stops after 24h of continuous working. The control box immediately starts up, automatically

.Country and usefulness gas categories

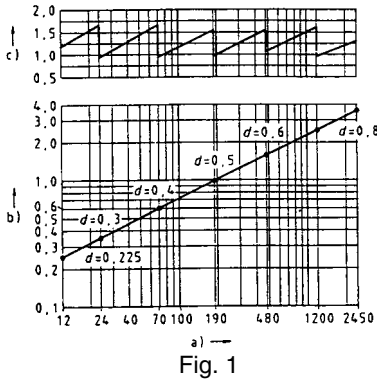
GAS CATEGORY	COUNTRY																								
	AT	ES	GR	SE	FI	IE	HU	IS	NO	CZ	DK	GB	IT	PT	CY	EE	LV	SI	MT	SK	BG	LT	RO	TR	CH
I _{2H}																									
I _{2E}	LU	PL	-	-	-	-	-	-	-	-	-	-	-	-	-	-	-	-	-	-	-	-	-	-	-
I _{2E(R) B}	BE	-	-	-	-	-	-	-	-	-	-	-	-	-	-	-	-	-	-	-	-	-	-	-	-
I _{2L}	NL	-	-	-	-	-	-	-	-	-	-	-	-	-	-	-	-	-	-	-	-	-	-	-	-
I _{2ELL}	DE	-	-	-	-	-	-	-	-	-	-	-	-	-	-	-	-	-	-	-	-	-	-	-	-
I _{2Er}	FR	-	-	-	-	-	-	-	-	-	-	-	-	-	-	-	-	-	-	-	-	-	-	-	-

Matching the burner to the boiler

The burners described in this manual have been tested with combustion chambers that comply with EN676 regulation and whose dimensions are described in the diagram . In case the burner must be coupled with boilers with a combustion chamber smaller in diameter or shorter than those described in the diagram, please contact the supplier, to verify that a correct matching is possible, with respect of the application involved. To correctly match the burner to the boiler verify the necessary input and the pressure in combustion chamber are included in the burner performance curve; otherwise the choice of the burner must be revised consulting the burner manufacturer. To choose the blast tube lenght follow the instructions of the boiler manufacturer. In absence of these consider the following:

- Cast-iron boilers, three pass flue boilers (with the first pass in the rear part): the blast tube must protrude no more than 100 mm into the combustion chamber.
- Pressurised boilers with flame reversal: in this case the blast tube must penetrate at least 50 - 100 mm into combustion chamber in respect to the tube bundle plate.

The length of the blast tubes does not always allow this requirement to be met, and thus it may be necessary to use a suitably-sized spacer to move the burner backwards or to design a blast tube that suits the utilisation (please, contact the manufacturer).



Key

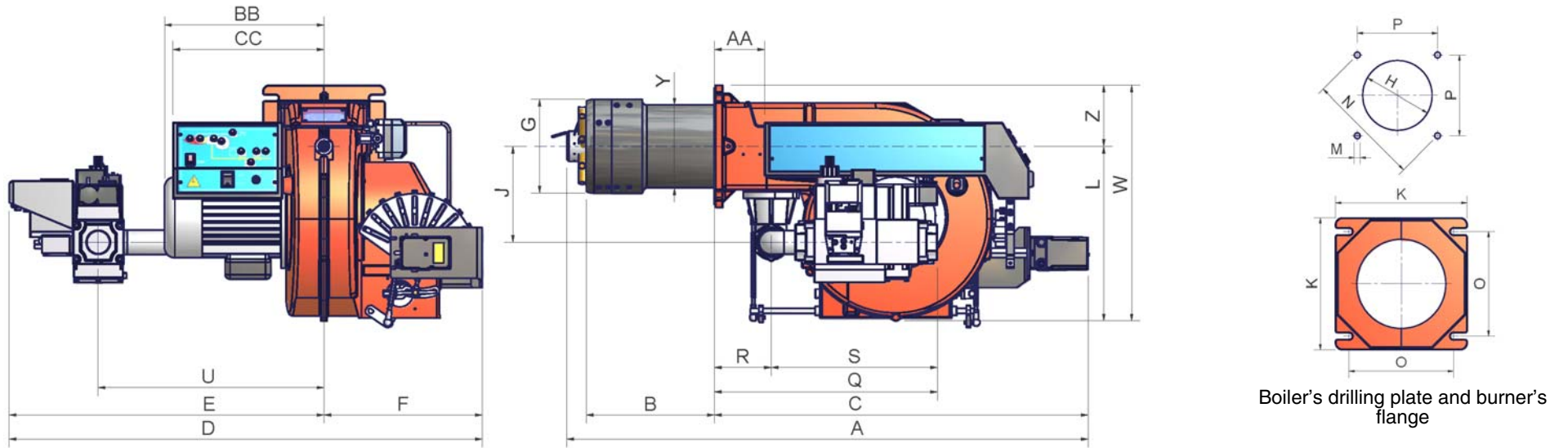
- a) Heat output in kW
- b) Length of the flame tube in meters
- c) Flame tube firing intensity in MW/m³
- d) Combustion chamber diameter (m)

Fig. 1 - Firing intensity, diameter and length of the test flame tube as a function of the heat input in kW.

Fig. 1

Overall dimensions (mm)

LX60



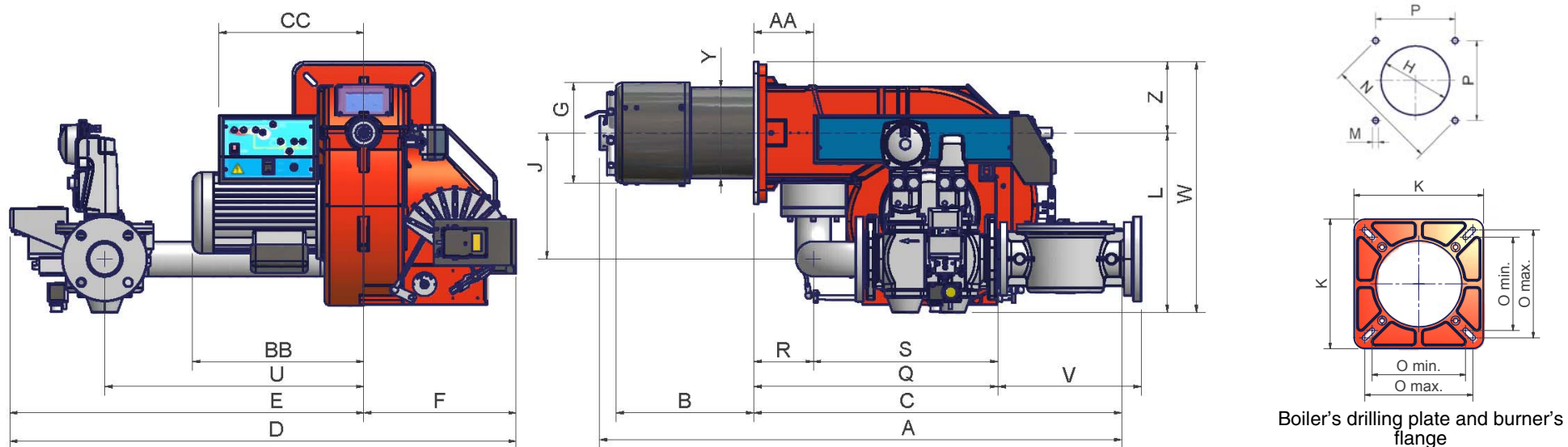
Boiler's drilling plate and burner's flange

	DN	A(S*)	A(L*)	AA	B(S*)	B(L*)	BB	C	CC	D	E	F	G	H	J	K	L	M	N	O-min	O-max	P	Q	R	S	U	V	W	Y	Z
LX60 PR - 0.40	40	1026	1206	99	252	432	314	736	298	812	500	312	185	204	210	240	344	M10	269	190	190	190	439	112	327	444	x	464	162	120
LX60 MD - 0.40	40	1026	1206	99	252	432	314	736	298	812	500	312	185	204	210	240	344	M10	269	190	190	190	439	112	327	444	x	464	162	120
LX60 AB - 0.40	40	956	1136	99	252	432	314	666	298	812	500	312	185	204	210	240	344	M10	269	190	190	190	439	112	327	444	x	464	162	120
LX60 PR - 0.50	50	1026	1206	99	252	432	314	736	298	812	500	312	185	204	210	240	344	M10	269	190	190	190	447	112	335	444	x	464	162	120
LX60 MD - 0.50	50	1026	1206	99	252	432	314	736	298	812	500	312	185	204	210	240	344	M10	269	190	190	190	447	112	335	444	x	464	162	120
LX60 AB - 0.50	50	956	1136	99	252	432	314	666	298	812	500	312	185	204	210	240	344	M10	269	190	190	190	447	112	335	444	x	464	162	120
LX60 PR - 0.65	65	1026	1206	99	252	432	314	736	298	997	685	312	185	204	250	240	420	M10	269	190	190	190	515	112	403	540	313	540	162	120
LX60 MD - 0.65	65	1026	1206	99	252	432	314	736	298	997	685	312	185	204	250	240	420	M10	269	190	190	190	515	112	403	540	313	540	162	120
LX60 AB - 0.65	65	956	1136	99	252	432	314	666	298	997	685	312	185	204	250	240	420	M10	269	190	190	190	515	112	403	540	313	540	162	120

*S = measure referred to burner fitted with standard blast tube

*L = measure referred to burner fitted with extended blast tube

Note: the gas proving system is an option.



Boiler's drilling plate and burner's flange

	DN	A(S*)	A(L*)	AA	B(S*)	B(L*)	BB	C	CC	D	E	F	G	H	J	K	L	M	N	O - min	O - max	P	Q	R	S	U	V	W	Y	Z
LX65 PR - 0.50	50	1166	1256	130	326	416	373	803	316	900	568	332	185	228	208	300	376	M10	330	216	250	233	465	130	335	519	x	531	162	155
LX65 PR - 1.50	50	1166	1256	130	326	416	373	803	316	1026	694	332	185	228	208	300	376	M10	330	216	250	233	465	130	335	519	x	531	162	155
LX65 AB - 0.50	50	1096	1186	130	326	416	373	733	316	900	568	332	185	228	208	300	376	M10	330	216	250	233	465	130	335	519	x	531	162	155
LX65 AB - 1.50	50	1096	1186	130	326	416	373	733	316	1026	694	332	185	228	208	300	376	M10	330	216	250	233	465	130	335	519	x	531	162	155
LX65 MD - 0.50	50	1166	1256	130	326	416	373	803	316	900	568	332	185	228	208	300	376	M10	330	216	250	233	465	130	335	519	x	531	162	155
LX65 MD - 1.50	50	1166	1256	130	326	416	373	803	316	1026	694	332	185	228	208	300	376	M10	330	216	250	233	465	130	335	519	x	531	162	155
LX65 PR - 0.65	65	1166	1256	130	326	416	373	803	316	998	666	332	185	228	275	300	393	M10	330	216	250	233	533	130	403	565	313	548	162	155
LX65 PR - 1.65	65	1166	1256	130	326	416	373	803	316	1104	772	332	185	228	275	300	393	M10	330	216	250	233	533	130	403	565	313	548	162	155
LX65 AB - 0.65	65	1096	1186	130	326	416	373	733	316	998	666	332	185	228	275	300	393	M10	330	216	250	233	533	130	403	565	313	548	162	155
LX65 AB - 1.65	65	1096	1186	130	326	416	373	733	316	1104	772	332	185	228	275	300	393	M10	330	216	250	233	533	130	403	565	313	548	162	155
LX65 MD - 0.65	65	1166	1256	130	326	416	373	803	316	998	666	332	185	228	275	300	393	M10	330	216	250	233	533	130	403	565	313	548	162	155
LX65 MD - 1.65	65	1166	1256	130	326	416	373	803	316	1104	772	332	185	228	275	300	393	M10	330	216	250	233	533	130	403	565	313	548	162	155

*S = measure referred to burner fitted with standard blast tube

*L = measure referred to burner fitted with extended blast tube

Note: the gas proving system is an option.

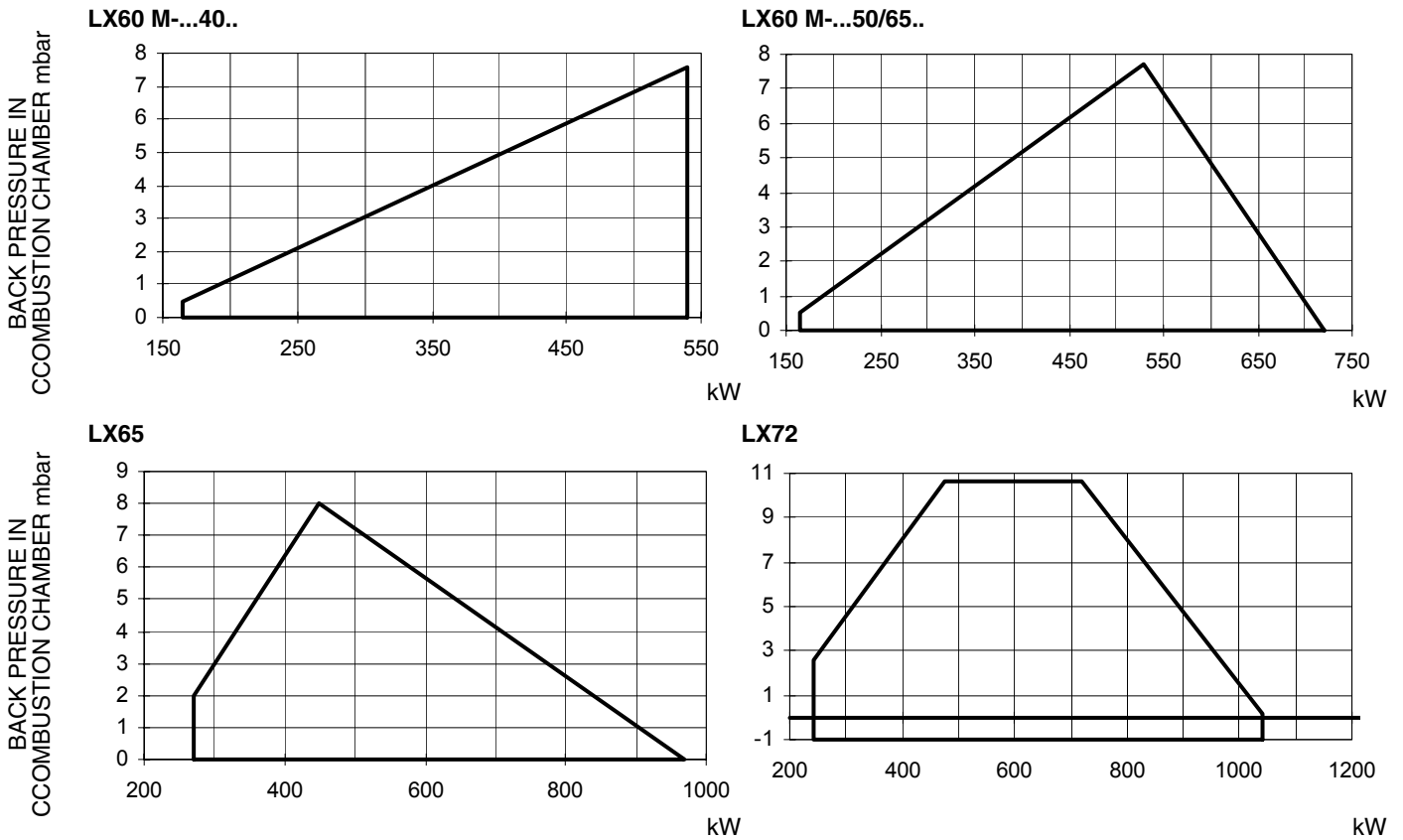
	DN	A(S*)	A(L*)	AA	B(S*)	B(L*)	BB	C	CC	D	E	F	G	H	J	K	L	M	N	O - min	O - max	P	Q	R	S	U	V	W	Y	Z
LX72 PR - 0.50	50	1139	1224	130	300	385	373	803	316	900	568	332	219	249	208	300	376	M10	330	216	250	233	465	130	335	519	x	531	198	155
LX72 PR - 1.50	50	1139	1224	130	300	385	373	803	316	1026	694	332	219	249	208	300	376	M10	330	216	250	233	465	130	335	519	x	531	198	155
LX72 AB - 0.50	50	1069	1154	130	300	385	373	733	316	900	568	332	219	249	208	300	376	M10	330	216	250	233	465	130	335	519	x	531	198	155
LX72 AB - 1.50	50	1069	1154	130	300	385	373	733	316	1026	694	332	219	249	208	300	376	M10	330	216	250	233	465	130	335	519	x	531	198	155
LX72 MD - 0.50	50	1139	1224	130	300	385	373	803	316	900	568	332	219	249	208	300	376	M10	330	216	250	233	465	130	335	519	x	531	198	155
LX72 MD - 1.50	50	1139	1224	130	300	385	373	803	316	1026	694	332	219	249	208	300	376	M10	330	216	250	233	465	130	335	519	x	531	198	155
LX72 PR - 0.65	65	1139	1224	130	300	385	373	803	316	998	666	332	219	249	275	300	393	M10	330	216	250	233	533	130	403	565	313	548	198	155
LX72 PR - 1.65	65	1139	1224	130	300	385	373	803	316	1104	772	332	219	249	275	300	393	M10	330	216	250	233	533	130	403	565	313	548	198	155
LX72 AB - 0.65	65	1069	1154	130	300	385	373	733	316	998	666	332	219	249	275	300	393	M10	330	216	250	233	533	130	403	565	313	548	198	155
LX72 AB - 1.65	65	1069	1154	130	300	385	373	733	316	1104	772	332	219	249	275	300	393	M10	330	216	250	233	533	130	403	565	313	548	198	155
LX72 MD - 0.65	65	1139	1224	130	300	385	373	803	316	998	666	332	219	249	275	300	393	M10	330	216	250	233	533	130	403	565	313	548	198	155
LX72 MD - 1.65	65	1139	1224	130	300	385	373	803	316	1104	772	332	219	249	275	300	393	M10	330	216	250	233	533	130	403	565	313	548	198	155
LX72 PR - 0.80	80	1139	1224	130	300	385	373	803	316	998	666	332	219	249	275	300	407	M10	330	216	250	233	574	130	444	565	344	562	198	155
LX72 PR - 1.80	80	1139	1224	130	300	385	373	803	316	1106	774	332	219	249	275	300	407	M10	330	216	250	233	574	130	444	565	344	562	198	155
LX72 AB - 0.80	80	1069	1154	130	300	385	373	733	316	998	666	332	219	249	275	300	407	M10	330	216	250	233	574	130	444	565	344	562	198	155
LX72 AB - 1.80	80	1069	1154	130	300	385	373	733	316	1106	774	332	219	249	275	300	407	M10	330	216	250	233	574	130	444	565	344	562	198	155
LX72 MD - 0.80	80	1139	1224	130	300	385	373	803	316	998	666	332	219	249	275	300	407	M10	330	216	250	233	574	130	444	565	344	562	198	155
LX72 MD - 1.80	80	1139	1224	130	300	385	373	803	316	1106	774	332	219	249	275	300	407	M10	330	216	250	233	574	130	444	565	344	562	198	155
LX72 PR - 0.100	100	1139	1224	130	300	385	373	803	316	1273	941	332	219	249	434	300	579	M10	330	216	250	233	653	130	523	824	344	734	405	155
LX72 PR - 1.100	100	1139	1224	130	300	385	373	803	316	1381	1049	332	219	249	434	300	579	M10	330	216	250	233	653	130	523	824	344	734	405	155
LX72 AB - 0.100	100	1069	1154	130	300	385	373	733	316	1273	941	332	219	249	434	300	579	M10	330	216	250	233	653	130	523	824	344	734	405	155
LX72 AB - 1.100	100	1069	1154	130	300	385	373	733	316	1381	1049	332	219	249	434	300	579	M10	330	216	250	233	653	130	523	824	344	734	405	155
LX72 MD - 0.100	100	1139	1224	130	300	385	373	803	316	1273	941	332	219	249	434	300	579	M10	330	216	250	233	653	130	523	824	344	734	405	155
LX72 MD - 1.100	100	1139	1224	130	300	385	373	803	316	1381	1049	332	219	249	434	300	579	M10	330	216	250	233	653	130	523	824	344	734	405	155

*S = measure referred to burner fitted with standard blast tube

*L = measure referred to burner fitted with extended blast tube

Note: the gas proving system is an option.

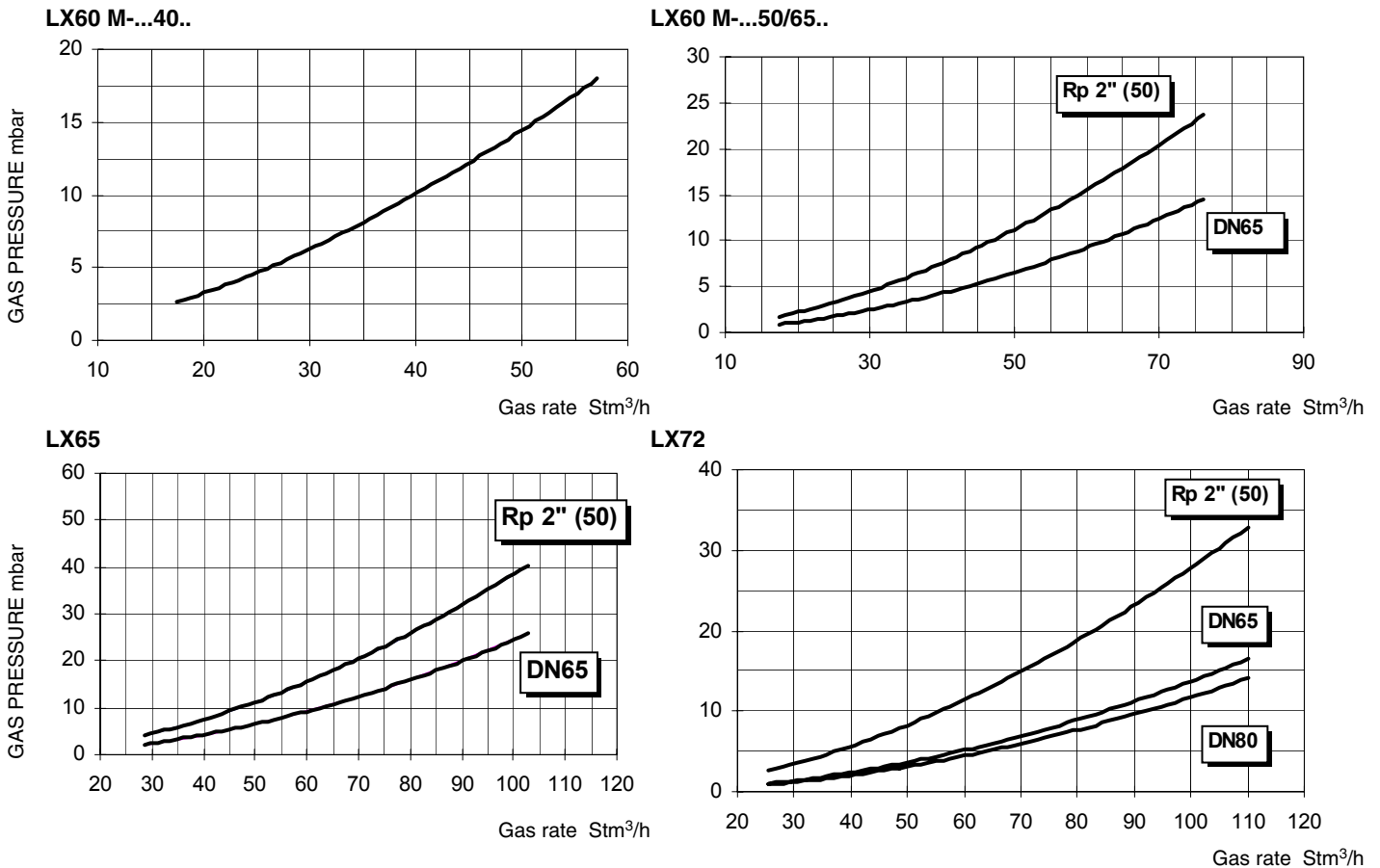
Performance curves



To get the input in kcal/h, multiply value in kW by 860.

Data are referred to standard conditions: atmospheric pressure at 1013mbar, ambient temperature at 15°C.

Pressure in the network/gas rate curves



MOUNTINGS AND CONNECTIONS

Packing

Burners are despatched in cardboard packages whose dimensions are:

- LX60: 1200mm x 670mm x 540mm (L x P x H).
- LX65 - LX72: 1280mm x 850mm x 760mm (L x P x H).

Packing cases of this type are affected by humidity; the maximum number of cases to be stacked is shown outside the packing. The following are placed in each packing case.

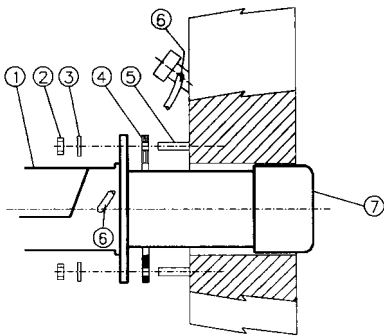
- 1 burner with gas train;
- 1 gasket to be inserted between the burner and the boiler;
- 1 envelope containing this manual

To get rid of the burner's packing, follow the procedures laid down by current laws on disposal of materials.

Fitting the burner to the boiler

To install the burner into the boiler, proceed as follows:

- 1 make a hole on the closing door of the combustion chamber as described on paragraph "Overall dimensions")
- 2 place the burner to the boiler: lift it up and handle it according to the procedure described on paragraph "Handling the burner";
- 3 place the 4 stud bolts (5) on the hole of the boiler's door, according to the burner's drilling plate described on paragraph "Overall dimensions";
- 4 fasten the 4 stud bolts;
- 5 place the gasket on the burner flange;
- 6 install the burner into the boiler;
- 7 fix the burner to the stud bolts, by means of the fixing nuts, according to the next picture.
- 8 After fitting the burner to the boiler, ensure that the gap between the blast tube and the refractory lining is sealed with appropriate insulating material (ceramic fibre cord or refractory cement).




Keys

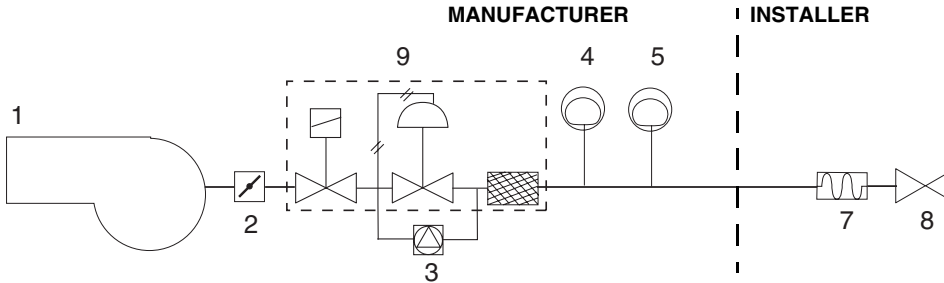
- 1 Burner
- 2 Fixing nut
- 3 Washer
- 4 Sealing gasket
- 5 Stud bolt
- 7 Blast tube

GAS TRAIN CONNECTIONS

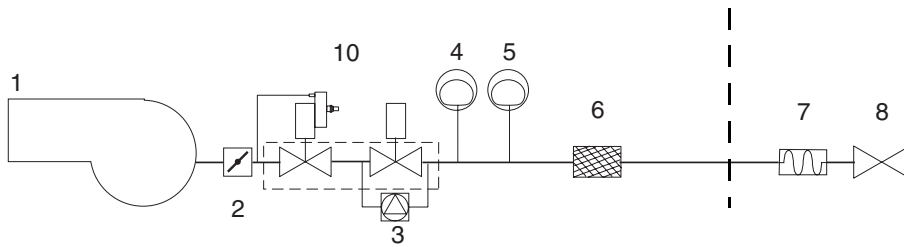
The next figures show the gas train components which are included in the delivery and those which must be fitted by the customer. The diagram complies with regulations in force

	<p>ATTENTION: BEFORE EXECUTING THE CONNECTIONS TO THE GAS PIPE NETWORK, BE SURE THAT THE MANUAL CUTOFF VALVES ARE CLOSED. READ CAREFULLY THE "WARNINGS" CHAPTER AT THE BEGINNING OF THIS MANUAL.</p>
---	---

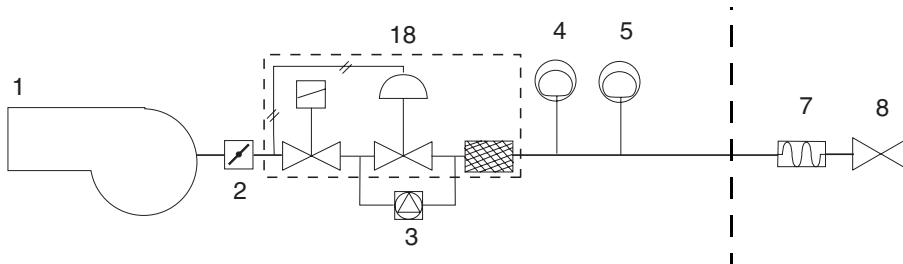
Rp1 1/2: Gas train with valves group MB-DLE (2 valves + gas filter + pressure governor + pressure switch) + leakage control VPS504



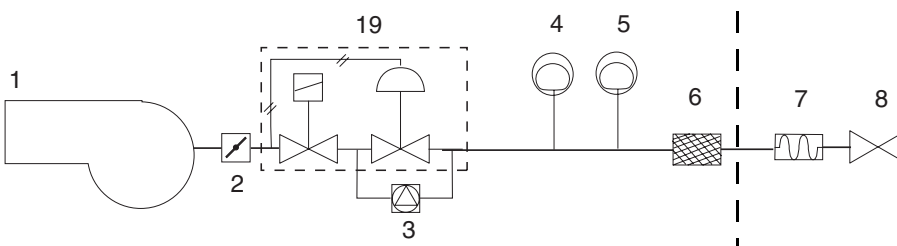
Rp2 - DN65 - DN80: Gas train with valves group VGD with built-in gas pressure governor + gas proving system VPS504



Rp2: Gas train with valves group MBC (2 valves + gas filter + pressure governor) + VPS504 gas proving system



DN65 - DN80: Gas train with valves group MBC (2 valves + pressure governor) + VPS504 gas proving system



- | | |
|---|--|
| <p>Key</p> <ul style="list-style-type: none"> 1 Burner 2 Butterfly valve 3 Gas proving system (option) 4 Minimum gas pressure switch 5 Maximum gas pressure switch (option) 6 Gas filter | <ul style="list-style-type: none"> 7 Bellow joint 8 Manual valve 9 MB-DLE Valves group 10 VGD Valves group 18 Valves group MBC (2", provided with filter) 19 Valves group MBC (an external filter must be installed) |
|---|--|

Assembling the gas grain

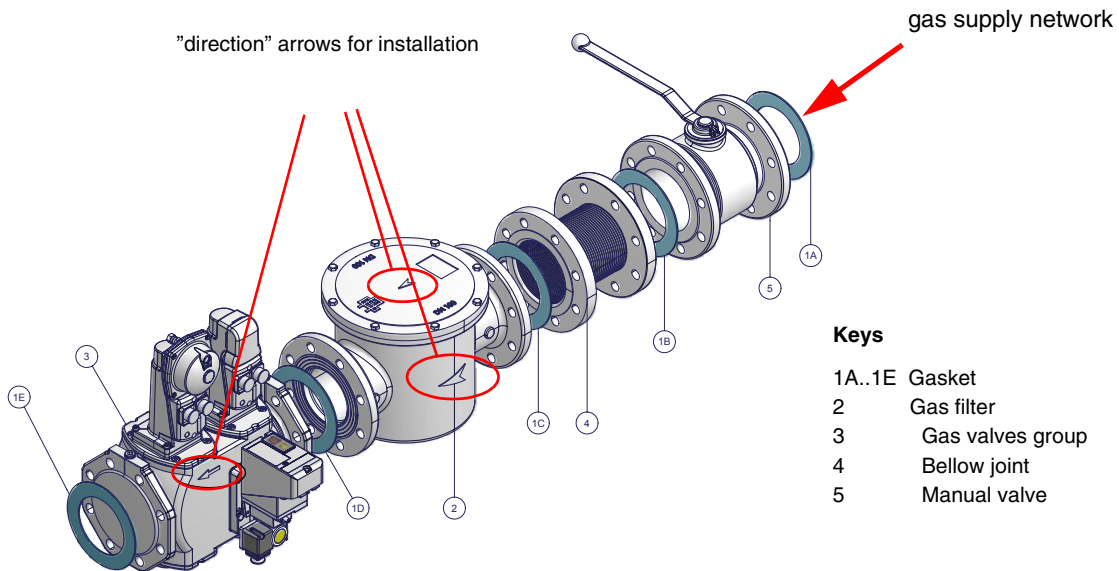


Fig. 2 - Example of gas train

To mount the gas train, proceed as follows:

- 1-a) in case of threaded joints: use proper seals according to the gas used;
- 1-b) in case of flanged joints: place a gasket (no. 1A..1E - Fig. 2) between the elements

NOTE: the bellow joint, the manual cock and the gaskets are not part of the standard supply.

	ATTENTION: once the gas train is mounted according to the diagram (Fig. 2), the gas proving test must be performed, according to the procedure set by the laws in force.
--	---

The procedures of installation for the gas valves are shown in the next paragraphs, according to the gas train used:

- threaded gas trains with Multibloc Dungs MBC..SE 1200 or Siemens VGD20..
- flanged gas trains with Multibloc Dungs MBC..SE 1900-3100-5000 or Siemens VGD40..

MULTIBLOC DUNGS MB-DLE 415..420

Mounting

1. Loosen screws A and B **do not** unscrew (Fig. 3 - Fig. 4).
2. unscrew screws C and D (Fig. 3 - Fig. 4).
3. Remove MultiBloc between the threaded flanges (Fig. 4).
4. After mounting, perform leakage and functional tests.

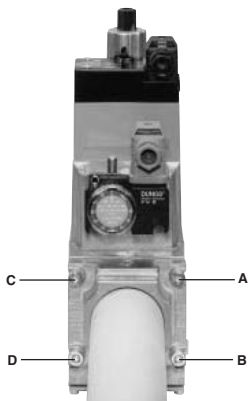


Fig. 3

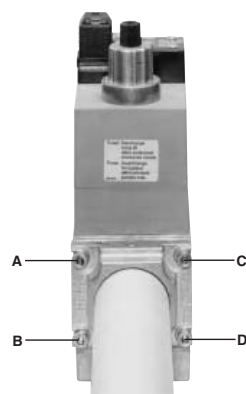


Fig. 4

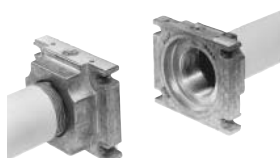


Fig. 5

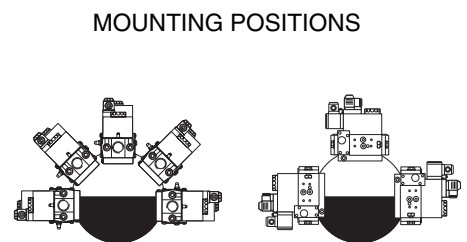


Fig. 6

MULTIBLOC DUNGS MBC300-700-1200SE (Threaded valves group)**Mounting**

1. Mount flange onto tube lines. Use appropriate sealing agent (see Fig. 7)
2. Insert MBC...SE. Note position of O rings (see Fig. 8).
3. Tighten screws A – H
4. After installation, perform leakage and functional test.
5. Disassembly in reverse order

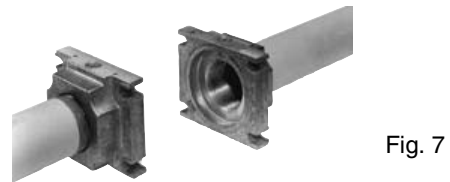


Fig. 7

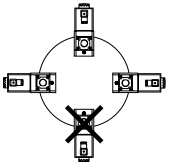
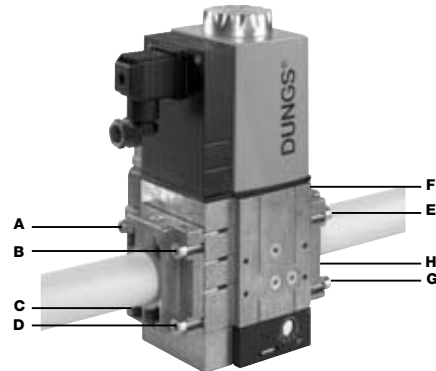
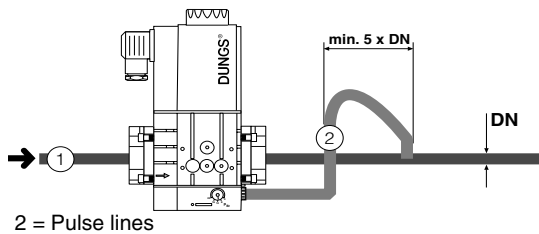
MOUNTING POSITIONS**OPTION**

Fig. 8

MULTIBLOC DUNGS MBC1900-3100-5000SE (Flanged valves group)**Mounting**

1. Insert setscrews A
 2. Insert seals
 3. Insert setscrews B
 4. Tighten setscrews A + B.
- Ensure correct seating of the seal!
6. After installation, perform leakage and functional test.
 7. Disassembly in reverse order.

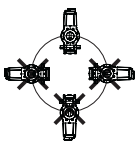
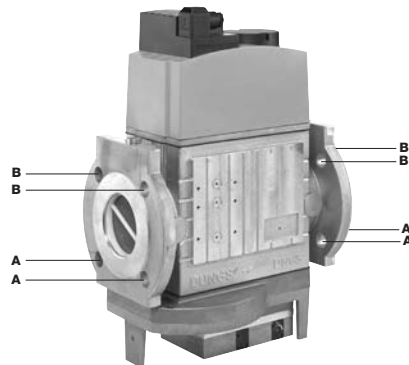
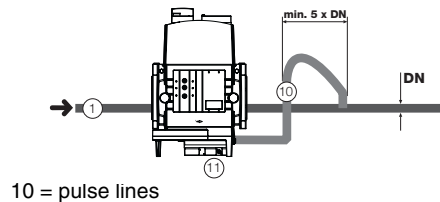
Mounting positions**OPTION**

Fig. 9

Siemens VGD20.. and VGD40.. gas valves - with SKP2.. (pressure governor)**Mounting**

- When mounting the VGD.. double gas valve, two flanges are required (as for VGD20.. model, the flanges are threaded);
- to prevent cuttings from falling inside the valve, first fit the flanges to the piping and then clean the associated parts;
- install the valve;
- the direction of gas flow must be in accordance with the direction of the arrow on the valve body;
- ensure that the bolts on the flanges are properly tightened;
- ensure that the connections with all components are tight;
- make certain that the O-rings and gaskets between the flanges and the double gas valve are fitted.
- Connect the reference gas pipe (**TP** in figure), to the gas pressure nipples placed on the gas pipe, downstream the gas valves: gas pressure must be measured at a distance that must be at least 5 times the pipe size .

Leave the blowhole free (**SA** in figure). Should the spring fitted not permit satisfactory regulation, ask one of our service centres for a suitable replacement.

⚠ WARNING: removing the four screws BS causes the device to be unserviceable!

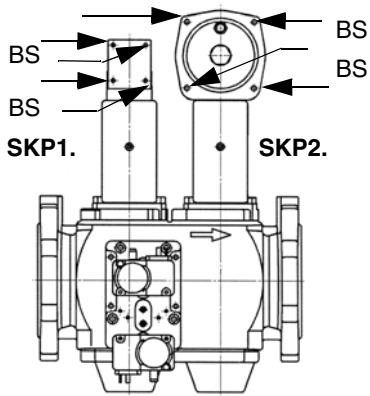


Fig. 10

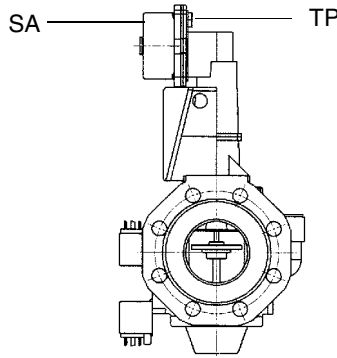


Fig. 11

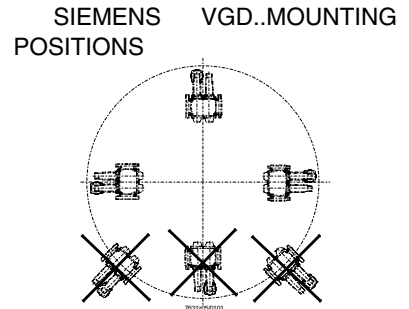
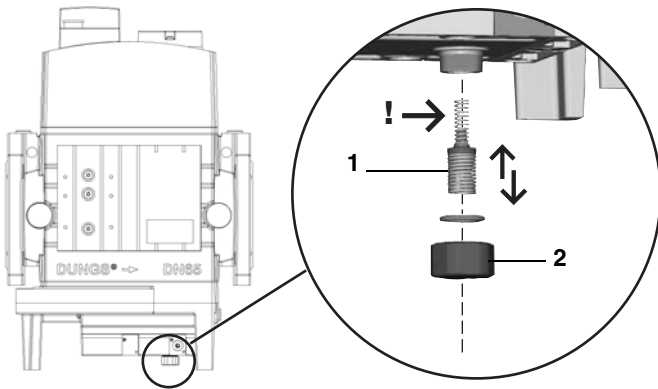


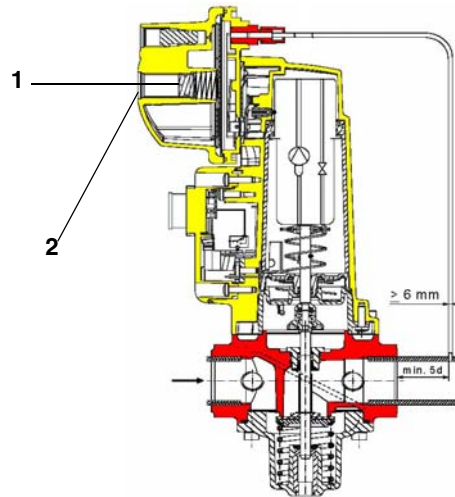
Fig. 12

Pressure adjusting range

The pressure adjusting range, downstream the gas valves group, changes according to the spring provided with the valve group.



DUNGS MBC..SE



Siemens SKP actuator

Keys

- 1 spring
- 2 cap

DUNGS MBC valves:

Performance range (mbar)	4 - 20	20 - 40	40 - 80	80 - 150
Spring colour	-	ed	black	green

Siemens VGD valves with SKP actuator:

Performance range (mbar)	0 - 22	15 - 120	100 - 250
Spring colour	neutral	yellow	red

Gas Proving System VPS504

The VPS504 check the operation of the seal of the gas shut off valves. This check, carried out as soon as the boiler thermostat gives a start signal to the burner, creates, by means of the diaphragm pump inside it, a pressure in the test space of 20 mbar higher than the supply pressure.

To install the DUNGS VPS504 gas proving system on the MD-DLE valves group, proceed as follows:

- 1 turn off gas supply;
- 2 Switch off power supply.
- 3 remove the Multibloc screw plugs (Fig. 13-A);
- 4 insert sealing rings (10,5 x 2,25) into VPS 504 (Fig. 13-B - Fig. 14)

5 Torque screws 3, 4, 5, 6 (M4 x16) Fig. 14-C

Only use screws with metric thread on reassembly (modification, repair).

6 On completion of work, perform a leak and functional test.

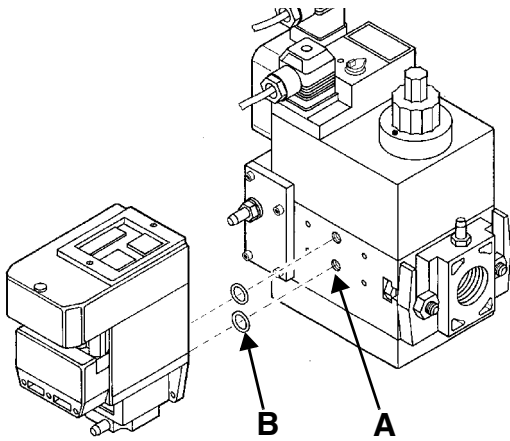


Fig. 13

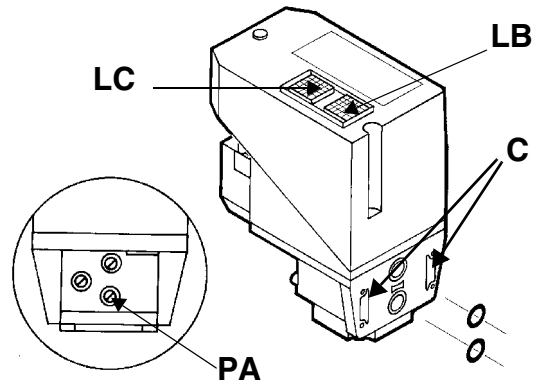


Fig. 14


When wishing to monitor the test, install a pressure gauge ranged to that of the pressure supply point **PA** (Fig. 14). If the test cycle is satisfactory, after a few seconds the consent light **LC** (yellow) comes on. In the opposite case the lockout light **LB** (red) comes on. To restart it is necessary to reset the appliance by pressing the illuminated pushbutton **LB**.


Once the train is installed, connect the gas valves group and pressure switches plugs.




ATTENTION: once the gas train is mounted according to the diagram, the gas proving test must be performed, according to the procedure set by the laws in force.

ELECTRICAL CONNECTIONS

	WARNING: The burner is provided with a jumper between terminals 6 and 7; in the event of connecting the high/low flame thermostat remove this jumper before connecting the thermostat.
	IMPORTANT: while connecting electric supply wires to burner's terminal block be sure that ground wire should be longer than phase and neutral ones.

	WARNING: if the cable that connects the thermostats and the control box should be longer than 3 meters, insert a sectioning relay following the attached electrical wiring diagram..
---	---

	Respect the basic safety rules. make sure of the connection to the earthing system. do not reverse the phase and neutral connections. fit a differential thermal magnet switch adequate for connection to the mains.
	ATTENTION: before executing the electrical connections, pay attention to turn the plant's switch to OFF and be sure that the burner's main switch is in 0 position (OFF) too. Read carefully the chapter "WARNINGS", and the "Electrical connections" section..

- Remove the cover of the burner electrical board.
- Perform the electrical connections to the supply terminal board as shown in Fig. 8, check the direction of the fan motor (see related paragraph) and refit the panel cover.

Wiring diagram keys on page 44.

Note on electrical supply

If the power supply to the burner is 230V three-phase or 230V phase-phase (without a neutral), with the Siemens LME2... control box, between the terminal 2 on the board and the earth terminal, an RC Siemens RC466890660 filter must be inserted

Key

- C - Capacitor (22nF/250V)
 LME - Siemens control box
 R - Resistor (1Mohm)
 RC466890660 - RC Siemens filter

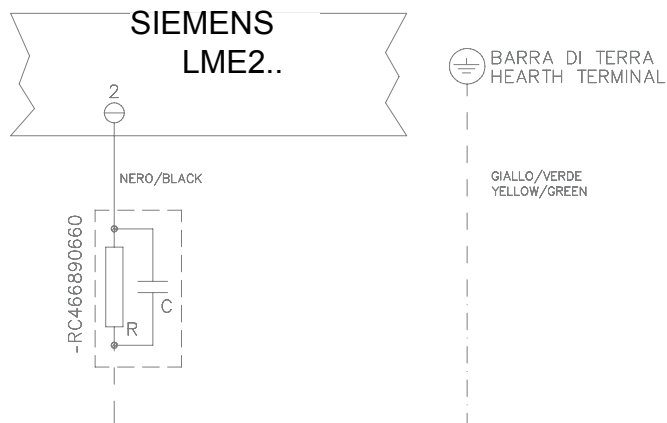


Fig. 15

Connection diagram

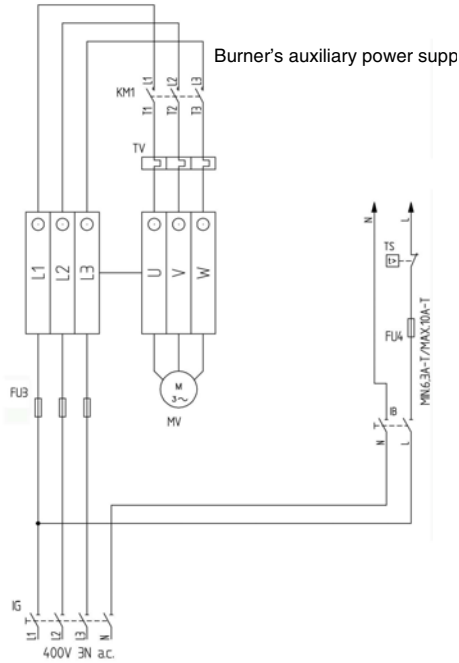


Fig. 16

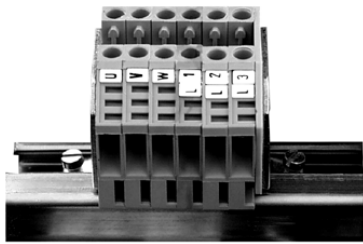
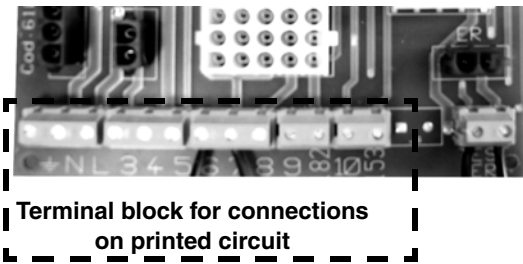


Fig. 18 - Power supply terminal block



Terminal block for connections on printed circuit

Fig. 19

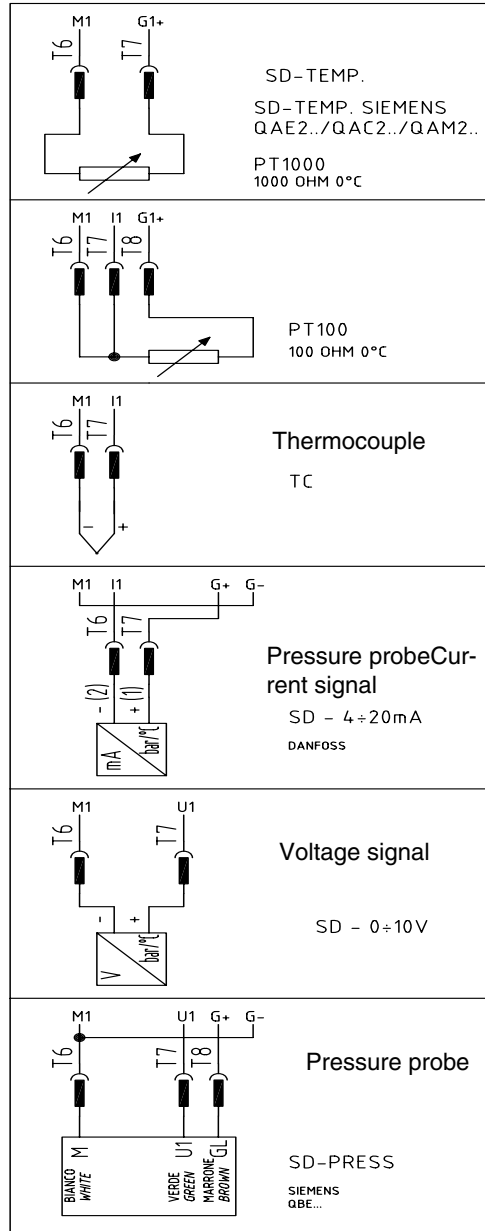


Fig. 17 - Probes connection scheme for modulating burners

Rotation of fan motor

Once the electrical connection of the burner is executed, remember to check the rotation of the fan motor. The motor should rotate according to the indication on the body. In the event of wrong rotation, reverse the three-phase supply and check again the rotation of the motor.

NOTE: the burners are supplied for three-phase 400V supply, and in the case of three-phase 230V supply it is necessary to modify the electrical connections into the terminal box of the electric motor and replace the overload tripped relay.

ADJUSTMENTS

Combustion head pressure curves vs. the gas flow rate

Curves are referred to pressure= 0mbar in the combustion head!

The curves referred to the gas pressure in the combustion head, depending on the gas flow rate, are referred to the burner in the combustion stage (percentage of residual O₂ in the flues as showed in the "Recommended combustion values" table and CO in the standard limits). During this stage, the combustion head, the gas butterfly valve and the servocontrol are at the maximum opening. Refer to Fig. 20, showing the correct way to measure the gas pressure, considering the values of pressure in combustion chamber, surveyed by means of the pressure gauge or taken from the boiler's Technical specifications.

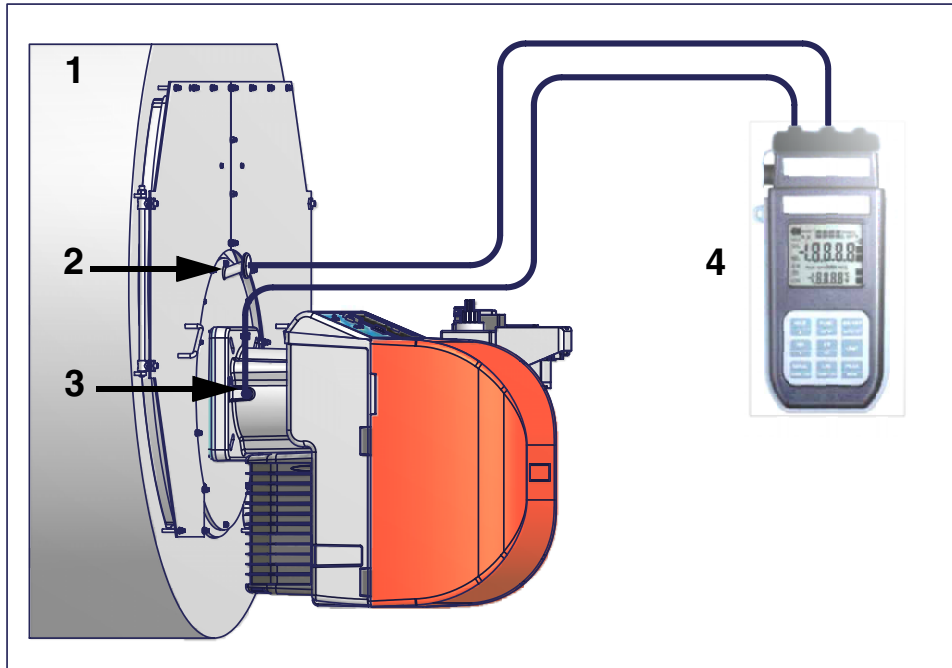


Fig. 20

Key

- 1 Generator
- 2 Pressure outlet on the combustion chamber
- 3 Gas pressure outlet on the butterfly valve
- 4 Differential pressure gauge

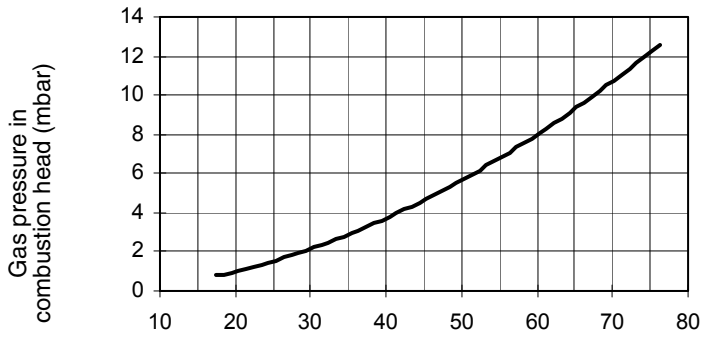
Measuring the gas pressure in the combustion head

In order to measure the pressure in the combustion head, insert the pressure gauge probes: one into the generator's pressure outlet (Fig. 20-2) to get the pressure in the combustion chamber and the other one into the butterfly valve's pressure outlet of the burner (Fig. 20-3). On the basis of the measured differential pressure, it is possible to get the maximum flow rate: in the pressure - rate curves (showed on the next paragraph), it is easy to get the burner output in kW or Stm³/h (quoted on the x axis) from the pressure measured in the combustion head (quoted on the y axis).

NOTE: THE PRESSURE-RATE CURVES ARE APPROXIMATE; FOR A PROPER SETTING OF THE GAS RATE, PLEASE REFER TO THE GAS METER READING.

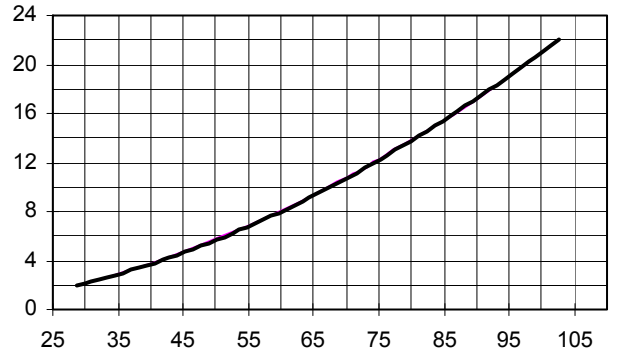
Gas pressure in combustion head vs. gas flow rate curves

LX60



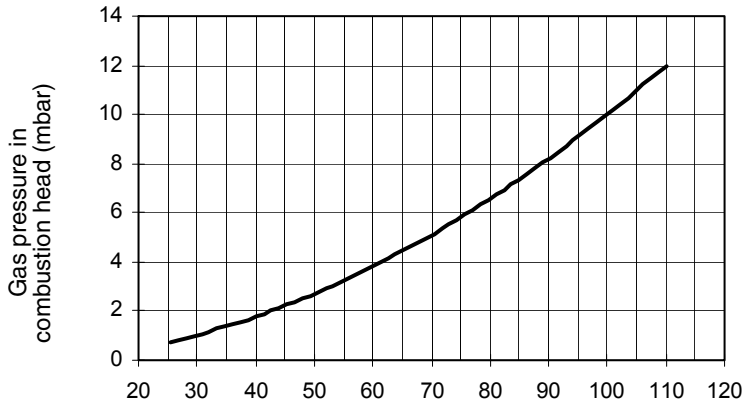
Stm³/h

LX65



Stm³/h

LX72



Stm³/h

Adjusting air and gas flow rates



ATTENTION: before starting the burner up, be sure that the manual cutoff valves are open and check that the pressure upstream the gas train complies the value quoted on paragraph "Technical specifications". Be sure that the mains switch is closed.

ATTENTION: During commissioning operations, do not let the burner operate with insufficient air flow (danger of formation of carbon monoxide); if this should happen, make the gas decrease slowly until the normal combustion values are achieved.

WARNING: NEVER LOOSE THE SEALED SCREWS! OTHERWISE, THE DEVICE WARRANTY WILL BE INVALIDATE!

Startup Output

The start-up heat output shall not exceed 1/3 of nominal output (double-stage, progressive or fully modulating burners). In order to comply with these requirements, burners are provided with butterfly valve and/or slow-opening safety valve. The low flame output must be higher than the minimum output quoted in the performance curve (see "Measuring the gas pressure in the combustion head" on page 20).



IMPORTANT! the combustion air excess must be adjusted according to the in the following chart:

Recommended combustion parameters		
<i>Fuel</i>	<i>Recommended (%) CO₂</i>	<i>Recommended (%) O₂</i>
Natural gas	9 ÷ 10	3 ÷ 4.8

Adjustments - brief description

- Adjust the air and gas flow rates at the maximum output ("high flame") first, by means of the air damper and the valves group pressure stabiliser respectively.

Check that the combustion parameters are in the suggested limits.

- Check the flow rate measuring it on the counter or, if it is not possible, check the combustion head pressure by means of a differential pressure gauge, see "Measuring the gas pressure in the combustion head" on page 20.
- Then, adjust the combustion values corresponding to the points between maximum and minimum (progressive -fully modulating burners only): set the shape of the adjusting cam foil. The adjusting cam sets the air/gas ratio in those points, regulating the opening-closing of the air damper.
- Set, now, the low flame output, acting on the low flame microswitch of the actuator in order to avoid the low flame output increasing too much or that the flues temperature gets too low to cause condensation in the chimney.

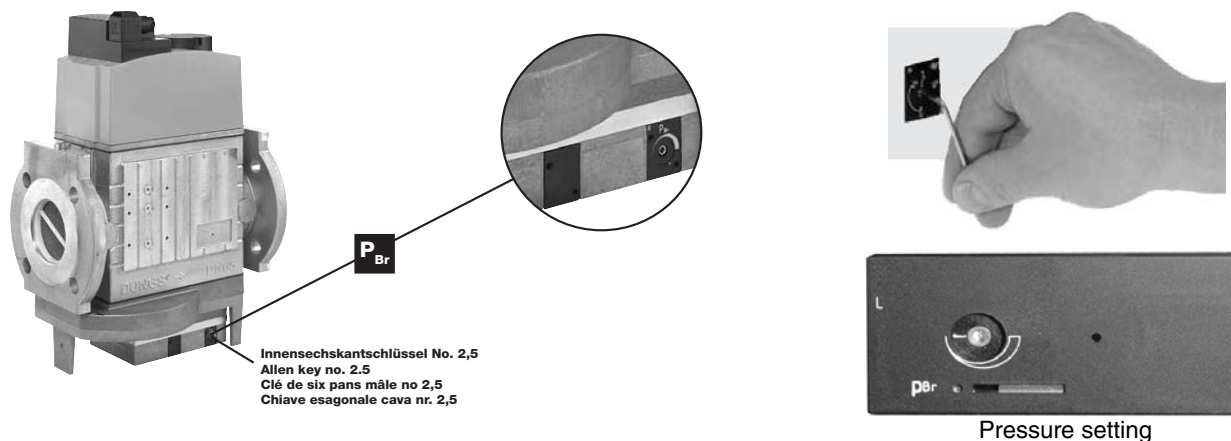
Adjusting procedure

To change the burner setting during the testing in the plant, follows the next procedure, according to the burner operation..

DUNGS MB-DLE gas valves group: Before starting the burner up, adjust the valves group slow opening: to set the slow opening remove cover **T**, reverse it upside down and use it as a tool to rotate screw **VR**. Decrease the ignition flow rate by screwing, increase it by unscrewing. Do not use a screwdriver on the screw **VR**!

Note: the screw **VSB** must be removed only in case of replacement of the coil.

On the **DUNGS MBC..SE gas valves group**, set the pressure regulator to 1/3 of its stroke, using a 2.5 allen key.



- 1 Turn the burner on by means of its main switch **A**: if the burner locks (LED **B** on in the control panel-Fig. 26) press the RESET button (**C**) on the control panel (Fig. 26). See chapter "Operation" for further details.
- 2 check the fan motor rotation (see "Rotation of fan motor" on page 19)
- 3 Before starting the burner up, drive the high flame actuator microswitch matching the low flame one (in order to let the burner operates at the lowest output) to safely achieve the high flame stage.
- 4 Start the burner up by means of the thermostat series and wait until the pre-purge phase comes to end and that burner starts up;
- 5 drive the burner to high flame stage, by means of the thermostat **TAB**.
- 6 Then move progressively the microswitch to higher values until it reaches the high flame position; always check the combustion values and eventually adjusting the gas by means of the valves group stabiliser.

The burner is factory-set with the combustion head at the position that refers to the "MAX" output. The maximum output setting refers to "fully-backward" position (Fig. 22). As for "fully-ahead" position, it means that the head is towards the boiler, "fully-backward" position means that the head is towards the operator. As far as the reduced output operation, progressively move the combustion head towards the "MIN" position by means of the **VRT** screw (Fig. 21). The **ID** index shows how much the combustion head moved..

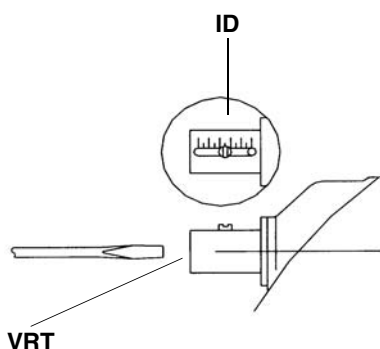


Fig. 21

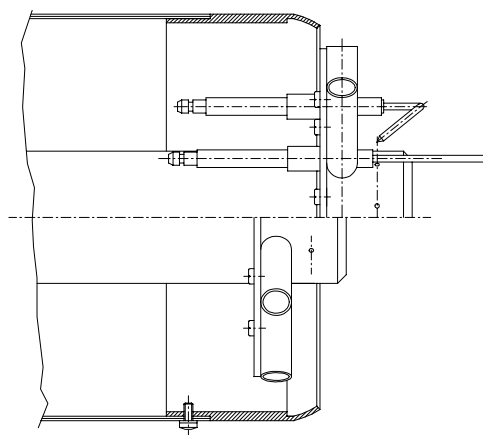


Fig. 22

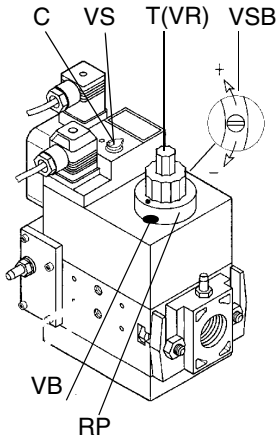
Attention! Change the combustion head position only if necessary. If so, repeat the air and gas adjustments described above.

- 7 go on adjusting air and gas flow rates: check, continuously, the flue gas analysis, as to avoid combustion with little air; dose the air according to the gas flow rate change following the steps quoted below;
- 8 acting on the pressure stabiliser of the valves group, adjust the **gas flow rate in the high flame stage** as to meet the values requested from the boiler/utilisation:

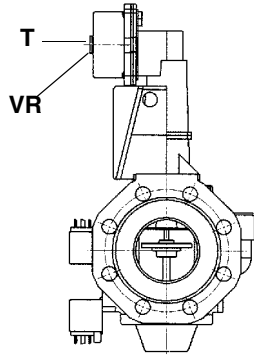
- **Multibloc MB-DLE:** the valve is adjusted by means of the **RP** regulator after slackening the locking screw **VB** by a number of turns. By unscrewing the regulator **RP** the valve opens, screwing the valve closes. The pressure stabilizer is adjusted by operating the screw **VS** located under the cover **C**. By screwing down the pressure is increased and by unscrewing it is reduced. **Note:** the screw **VSB** must be removed only in case of replacement of the coil.

- **Siemens VGD valves group:** remove cap **T** and act on the **VR** adjusting screw to increase or decrease the pressure and consequently the gas rate; screwing **VR** the rate increases, unscrewing it decreases (see next figure).

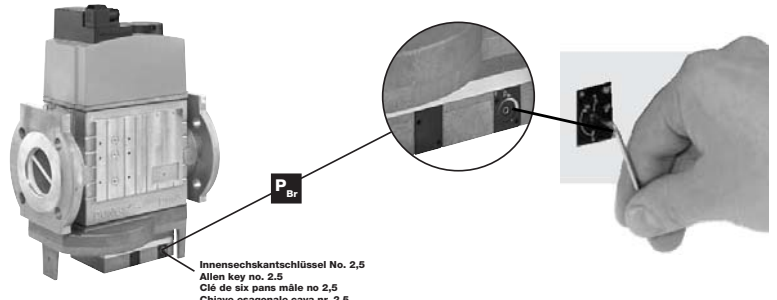
- **Dungs MBC..SE valves group:** act on its pressure governor to increase or decrease the pressure and consequently the gas rate.



Dungs Multibloc MB-DLE



Siemens VGD..

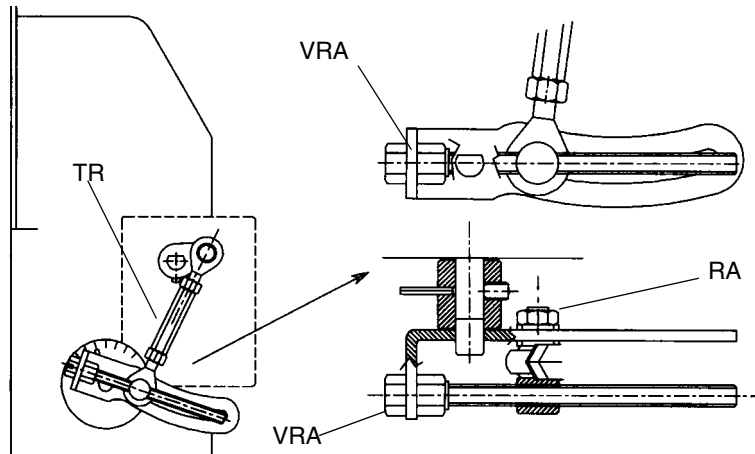


Dungs MBC..SE

⚠ Pressure stabiliser is factory-set. The setting values must be locally adapted to machine conditions. Important! Follow the instructions carefully!

9 .To adjust the **air flow rate in the high flame stage**, loose the **RA** nut and screw **VRA** as to get the desired air flow rate: moving the rod **T** towards the air damper shaft, the air damper opens and consequently the air flow rate increases, moving it far from the shaft the air damper closes and the air flow rate decreases.

Note: once the procedure is performed, be sure that the blocking nut **RA** is fasten.



Go on adjusting the burner according to the model (double-stage, progressive, fully-modulating).

Double-stage burners

- 10 drive the burner to the low flame stage by means of the **TAB** thermostat;
- 11 In order to change the gas flow rate slacken the nuts **DB** (Fig. 23) and adjust the opening angle of the gas butterfly valve by rotating the rod **TG** (clockwise rotation increases gas flow, anticlockwise rotation decreases it). The slot on the butterfly valve shaft shows the opening degree of the valve regarding the horizontal axis (Fig. 23).

NOTE: At the end of settings, make sure the locking screws **RA** and **DB** are fully tightened.

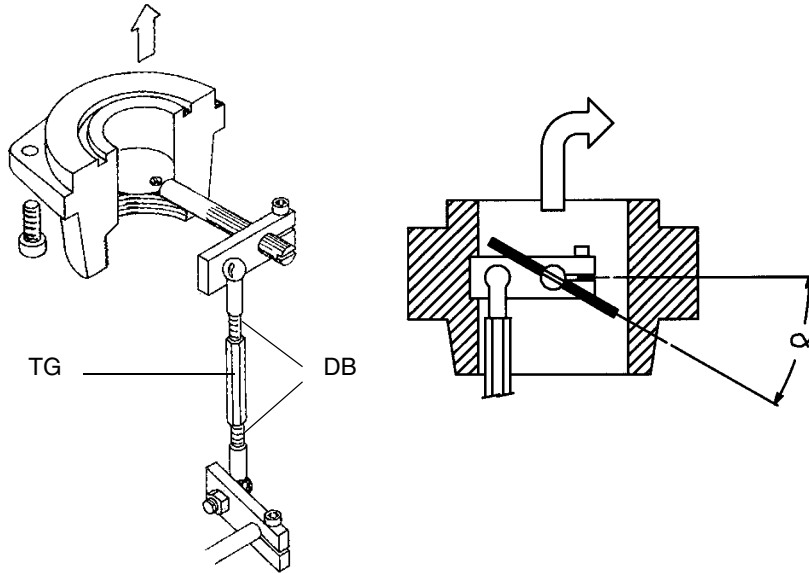
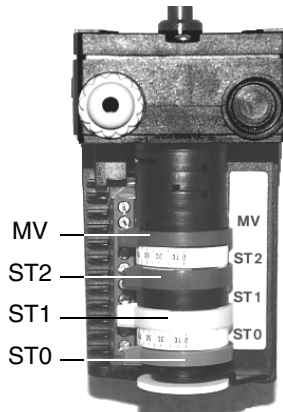


Fig. 23

- 12 Now adjust the pressure switches (see pag. 27).
- 13 If it is necessary to change the burner output in the low flame stage, move the low flame cam: the low flame position must never match the ignition position, that is why the low flame cam must be set at about 30° more than the ignition cam (when the low flame does not match the ignition cam - that is when MBC valves are provided).
- 14 Turn the burner off and then start it up again. If the adjustment is not correct, repeat the previous steps.



Berger STA6 B 3.41 (high-low flame burners)
 Berger STA12B3.41 (progressive and fully modulating burners)

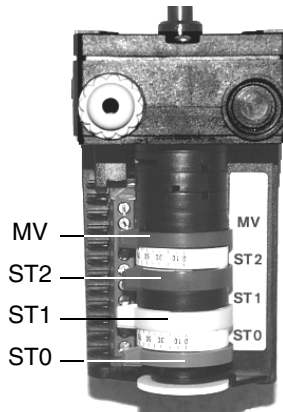
For DUNGS MB-DLE / Siemens VGD gas valves	Actuator cams	For DUNGS MBCgas valves	Actuator cams
High flame position (set to 90°)	ST2	High flame position (set to 90°)	ST2
Low flame and ignition position	ST1	Stand-by position (set to 0°)	ST0
Stand-by position (set to 0°)	ST0	Ignition	ST1
Not used	MV	Low flame position	MV

Progressive burners

Once the procedure till step 8 described on paragraph "Adjusting procedure" on page 24 is accomplished, go on as follows:

9 set the **TAB** thermostat to the minimum in order that the actuator moves progressively towards the low flame position;

The manual air damper control is not provided on these actuators. The adjustments must be carried out by inserting a screwdriver on the screw placed inside the cam.



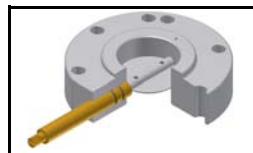
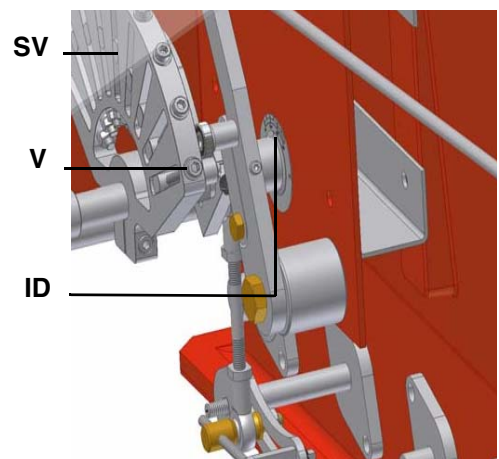
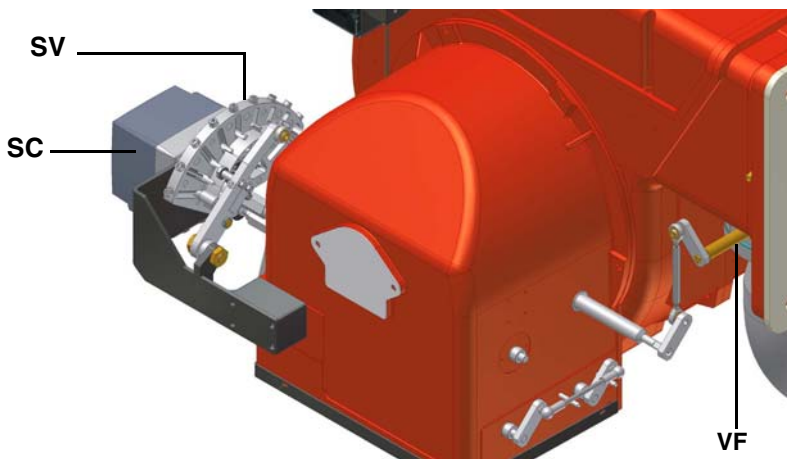
Berger STA6 B 3.41 (high-low flame burners)
Berger STA12B3.41 (progressive and fully modulating burners)

For DUNGS MB-DLE / Siemens VGD gas valves	Actuator cams	For DUNGS MBCgas valves	Actuator cams
High flame position (set to 90°)	ST2	High flame position (set to 90°)	ST2
Low flame and ignition position	ST1	Stand-by position (set to 0°)	ST0
Stand-by position (set to 0°)	ST0	Ignition	ST1
Not used	MV	Low flame position	MV

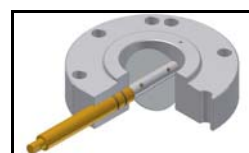
10 move the low flame cam to the minimum to move the actuator towards the low flame until the two bearings find the adjusting screw that refers to the lower position: screw **V** to increase the rate, unscrew to decrease.

11 Move again the low flame cam towards the minimum to meet the next screw on the adjusting cam and repeat the previous step; go on this way as to reach the desired low flame point.

12 Now adjust the pressure switches (see pag. 27).



Gas butterfly valve closed



Gas butterfly valve open

13 If it is necessary to change the burner output in the low flame stage, move the low flame cam: the low flame position must never match the ignition position, that is why the low flame cam must be set at about 30° more than the ignition cam (when the low flame can does not match the ignition cam - that is when MBC valves are provided).

Turn the burner off and then start it up again. If the adjustment is not correct, repeat the previous steps.

Fully modulating burners

Once the procedure till step 8 described on paragraph "Adjusting procedure" on page 24 is accomplished, go on as follows:

To adjust the air rate in low flame and in the intermediate points, proceed as follow.

- 9 Keep pushed for 5 seconds the EXIT button on the modulator (Fig. 24); when the LED with the hand symbol lights up, press the arrow button, driving the actuator to the maximum opening position progressively;
- 10 stop its stroke when it meets each screw **V**: adjust the air rate by adjusting the **V** screw that matches each bearing.
- 11 Push the EXIT button to quit the manual mode.



Fig. 24



Fig. 25

Calibration of air and gas pressure switches

The **air pressure switch** locks the control box if the air pressure is not the one requested. If it happens, unlock the burner by means of the control box unlock pushbutton, placed on the burner control panel.

The **gas pressure switches** check the pressure to avoid the burner operate when the pressure value is not in the requested pressure range.

Calibration of air pressure switch

To calibrate the air pressure switch, proceed as follows:

- Remove the transparent plastic cap.
- Once air and gas setting have been accomplished, startup the burner.
- During the pre-purge phase of the operation, turn slowly the adjusting ring nut **VR** in the clockwise direction until the burner lockout, then read the value on the pressure switch scale and set it to a value reduced by 15%.
- Repeat the ignition cycle of the burner and check it runs properly.
- Refit the transparent plastic cover on the pressure switch.

Calibration of low gas pressure switch

As for the gas pressure switch calibration, proceed as follows:

- Remove the transparent plastic cap.
- While the burner is operating at the maximum output, test the gas pressure on the low gas pressure switch port.
- Slowly close the manual shut-off valve (placed upstream the pressure switch, see gas train installation diagram), until the measured pressure is reduced by 50%. Pay attention that the CO value in the flue gas does not increase.
- Check that the burner is operating correctly.
- Screw down the pressure switch adjusting ring nut until the burner lockout.
- Fully open the manual shut-off valve.
- Refit the transparent plastic cover on the pressure switch.

Adjusting the high gas pressure switch (when provided)

To calibrate the high pressure switch, proceed as follows:

- remove the plastic cover;
- measure the gas pressure in the network, when flame is off;
- by means of the adjusting ring nut **VR**, set the value read on step 2, increased by the 30%;
- replace the plastic cover.

PART II: OPERATION

LIMITATIONS OF USE

THE BURNER IS AN APPLIANCE DESIGNED AND CONSTRUCTED TO OPERATE ONLY AFTER BEING CORRECTLY CONNECTED TO A HEAT GENERATOR (E.G. BOILER, HOT AIR GENERATOR, FURNACE, ETC.), ANY OTHER USE IS TO BE CONSIDERED IMPROPER AND THEREFORE DANGEROUS.

THE USER MUST GUARANTEE THE CORRECT FITTING OF THE APPLIANCE, ENTRUSTING THE INSTALLATION OF IT TO QUALIFIED PERSONNEL AND HAVING THE FIRST COMMISSIONING OF IT CARRIED OUT BY A SERVICE CENTRE AUTHORIZED BY THE COMPANY MANUFACTURING THE BURNER.

A FUNDAMENTAL FACTOR IN THIS RESPECT IS THE ELECTRICAL CONNECTION TO THE GENERATOR'S CONTROL AND SAFETY UNITS (CONTROL THERMOSTAT, SAFETY, ETC.) WHICH GUARANTEES CORRECT AND SAFE FUNCTIONING OF THE BURNER.

THEREFORE, ANY OPERATION OF THE APPLIANCE MUST BE PREVENTED WHICH DEPARTS FROM THE INSTALLATION OPERATIONS OR WHICH HAPPENS AFTER TOTAL OR PARTIAL TAMPERING WITH THESE (E.G. DISCONNECTION, EVEN PARTIAL, OF THE ELECTRICAL LEADS, OPENING THE GENERATOR DOOR, DISMANTLING OF PART OF THE BURNER).

NEVER OPEN OR DISMANTLE ANY COMPONENT OF THE MACHINE.

OPERATE ONLY THE MAIN SWITCH, WHICH THROUGH ITS EASY ACCESSIBILITY AND RAPIDITY OF OPERATION ALSO FUNCTIONS AS AN EMERGENCY SWITCH, AND ON THE RESET BUTTON.

IN THE EVENT OF REPEATED LOCKOUTS, DO NOT PERSIST WITH THE RESET BUTTON AND CONTACT QUALIFIED PERSONNEL WHO WILL PROCEED TO ELIMINATE THE MALFUNCTION.

WARNING: DURING NORMAL OPERATION THE PARTS OF THE BURNER NEAREST TO THE GENERATOR (COUPLING FLANGE) CAN BECOME VERY HOT, AVOID TOUCHING THEM SO AS NOT TO GET BURNT.

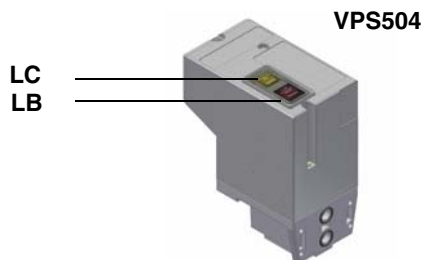
OPERATION



ATTENTION: BEFORE STARTING THE BURNER UP, BE SURE THAT THE MANUAL CUTOFF VALVES ARE OPEN AND CHECK THAT THE PRESSURE VALUE UPSTREAM THE GAS TRAIN MATCHES THE VALUE ON PARAGRAPH "TECHNICAL SPECIFICATIONS"). CHECK THAT THE MAINS SWITCH IS CLOSED. CAREF

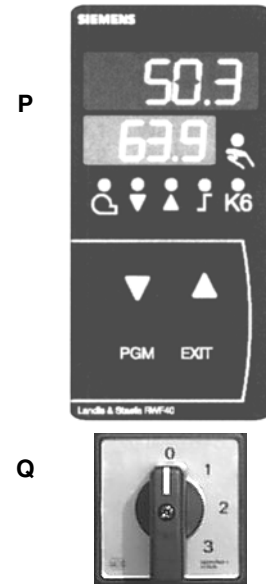
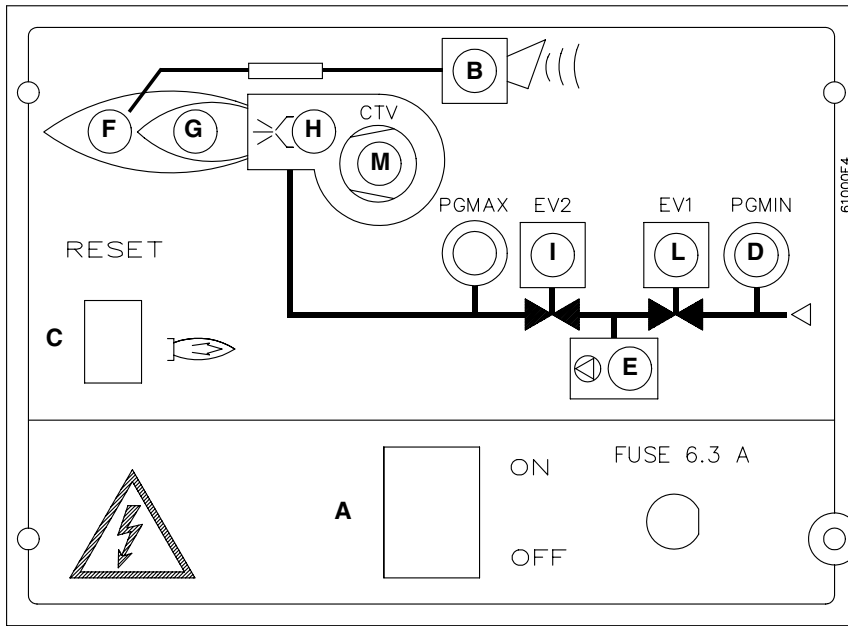
- 1 Turn to the "ON" position the main switch **A**, on the burner's control panel (see Fig. 26).
- 2 Check the flame control box is not locked (light **B**, on) and eventually release it by means of the pushbutton **C** (reset - for more information about the device, please refer to the manual's Appendix).
- 3 Check the series of thermostats or pressure switches gives the burner the start signal for operating.
- 4 Check that the gas pressure in the gas network is sufficient (if the pressure is normal, the lamp **E** lights).

Only burners provided with the gas proving system: the check cycle of the gas proving system starts; the end of this check is signalled by the light of the LC LED on the device (see picture below). When the valves check come to end, the startup cycle of the burner begins. In the case of a leak in a valve, the gas proving system locks and the lamp **E** lights (on the burner control panel). To reset the device press its **LB** pushbutton (see picture below).



- 5 The startup cycle begins, the actuator drives the air damper to the maximum opening position, the fan motor starts and the pre-purge phase begins. During the pre-purge phase, the complete opening of the air damper is signalled by the lamp **F** on the burner control panel.
- 6 At the end of the pre-purge phase, the air damper goes to the ignition position, the ignition transformer comes on (signalled by the lamp **H**) and few seconds later the solenoid valves EV1 and EV2 are energised (lights **I** and **L** on the control panel).
- 7 Few seconds after the opening of the valves, the ignition transformer turns off and the lamp **H** turns off as well, then:
 - **High-low flame burners:** the burner is in low flame stage (light **G** is on); some seconds later the high flame operation begins and the burner switches automatically to high flame (light **F** is on) or keeps on operating in low flame stage, according to the plant needs.
 - **Progressive and fully modulating burners** - few seconds after the gas valve opening, the ignition transformer is de-energised. The burner is in low flame operation and some seconds later the two-stages operation begins; the burner increases or decreases its output, directly driven by the external thermostat (progressive version) or by the modulator (**P** in Fig. 26, fully modulating burners only).

Fig. 26 - Control panel



Keys

- A Main switch on-off
- B Lockout indicator light
- C Reset pushbutton for flame control box
- D Gas pressure switch consent indicator light
- E Gas proving system lockout indicator light (only on burners with leakage control device)
- F High flame operation indicator light (or air damper open during pre-purgue phase)
- G Low flame operation indicator light
- H Ignition tranformer operation indicator light
- I Valve in operation indicator light for EV2
- L Valve in operation indicator light for EV1
- M Indicator light for fan motor overload tripped (only three-phase burners); to reset the overload tripped, the electrical board must be opened).
- P Modulator (fitted only on fully modulating burners)
- Q Operation manual selector: 0) stop - 1) high flame - 2) low flame - 3) automatic

PART III: MAINTENANCE

At least once a year carry out the maintenance operations listed below. In the case of seasonal servicing, it is recommended to carry out the maintenance at the end of each heating season; in the case of continuous operation the maintenance is carried out every 6 months.



WARNING: ALL OPERATIONS ON THE BURNER MUST BE CARRIED OUT WITH THE MAINS DISCONNECTED AND THE FUEL MANUAL CUTOFF VALVES CLOSED!

ATTENTION: READ CAREFULLY THE "WARNINGS" CHAPTER AT THE BEGINNING OF THIS MANUAL.

ROUTINE MAINTENANCE

- Clean and check the gas filter cartridge, if necessary replace it (see next paragraphs).
- Remove, check and clean the combustion head (see Fig. 31)
- Check ignition electrode, clean, adjust and, if necessary, replace (see page 33)
- Check the detection electrode, clean, adjust and, if necessary, replace; in case of doubt, check the detection circuit following the diagram in Fig. 35 and Fig. 36, after turning the burner back into operation.
- Cleaning and greasing of leverages and rotating parts.



ATTENTION when servicing, if it was necessary to disassemble the gas train parts, remember to execute the gas proving test, once the gas train is reassembled, according to the procedure imposed by the law in force.

Removing the filter in the MULTIBLOC DUNGS MB-DLE 415 - 420 B01 1" 1/2 - 2"

- Check the filter at least once a year!
- Change the filter if the pressure difference between pressure connection 1 and 2 (Fig. 27-Fig. 28) $\Delta p > 10$ mbar.
- Change the filter if the pressure difference between pressure connection 1 and 2 (Fig. 27-Fig. 28) is twice as high compared to the last check.

You can change the filter without removing the fitting.

- 1 Interrupt the gas supply closing the on-off valve.
- 2 Remove screws 1 ÷ 6 (Fig. 29).
- 3 Change filter insert.
- 4 Re-insert filter housing, screw in screws 1 ÷ 6 without using any force and fasten.
- 5 Perform leakage and functional test, $p_{max.} = 360$ mbar.

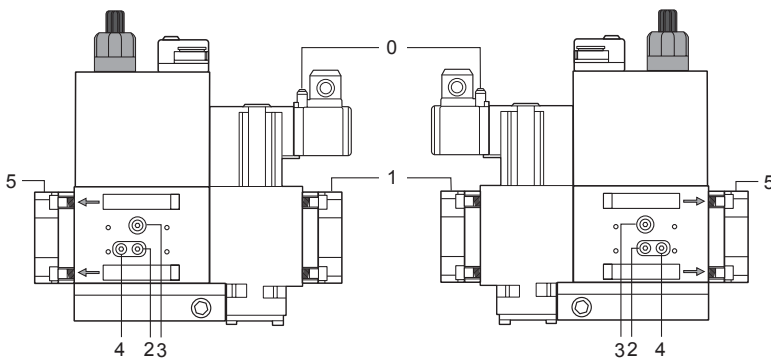


Fig. 27

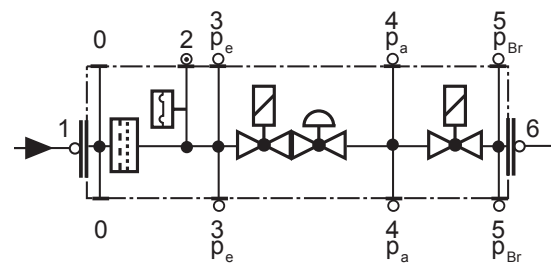


Fig. 28

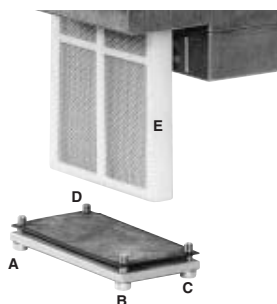


Fig. 29

Inspection and replacement of the MULTIBLOC DUNGS MBC..SE filter (Threaded valves group)

Inspect the filter at least once a year.

- Change the filter, if pressure value between pressure connections 1 and 2 is greater than 10 mbar.
- Change the filter, if pressure value between pressure connections 1 and 2 is twice as high compared to the last inspection.

1. Interrupt gas supply: close ball valve
2. Remove screws 1-2
3. Replace the filter insert 3
4. Screw in screws 1-2 without use force to fasten.
5. Perform leakage and function test.

Space requirements for fitting filter, A: from 150 to 230 mm.

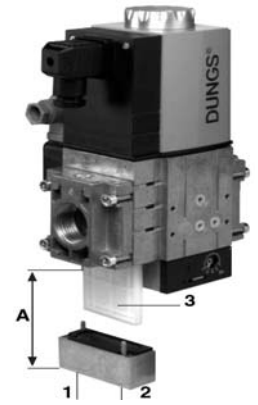


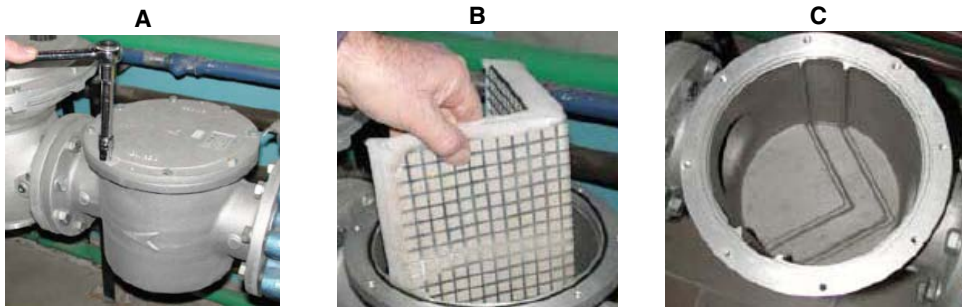
Fig.30

Gas filter maintenance

	<p>ATTENTION: Before opening the filter, close the manual cutoff valve downstream the filter and bleed the gas; check that inside the filter there is no pressurised gas.</p>
--	--

To clean or remove the filter, proceed as follows:

- 1 remove the cap unscrewing the fixing screws (A);
- 2 remove the filtering cartridge (B), clean it using water and soap, blow it with compressed air(or replace it, if necessary)
- 3 replace the cartridge in its proper position taking care to place it inbetween the guides as not to hamper the cap replacement;
- 4 be sure to replace the Or ring into its place (C) and replace the cover fastening by the proper screws (A).



Removing the combustion head

Type LX60

- Remove cover C.
- Unscrew the two screws S holding in position the washer and then unscrew VRT to free the threaded rod AR.
- Unscrew the screws V holding in position the manifold G and pull out the complete group as shown in figure.

Note: for the subsequent assembly carry out the above described operations in the reverse order, checking the correct position of the OR ring.

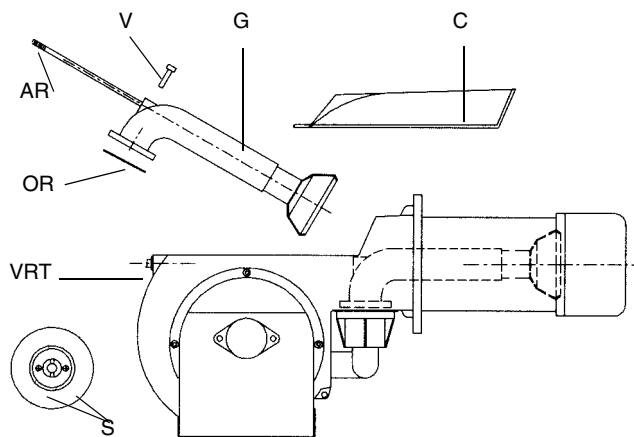


Fig. 31

Type LX65 / LX72

- Remove the burner cover C.
- Unscrew the screws V holding in position the manifold G and pull out the complete group as shown in figure.

Note: for the subsequent assembly carry out the above described operations in the reverse order, checking the correct position of the OR ring.

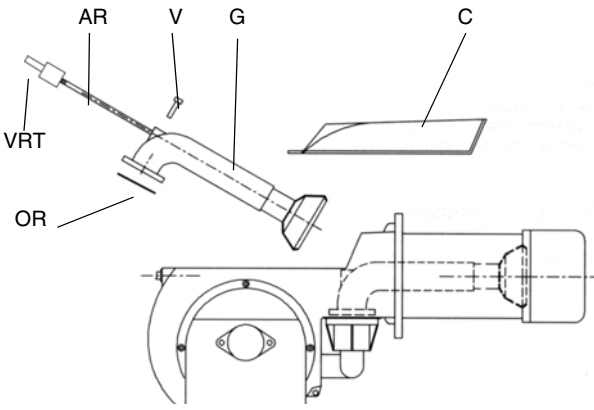


Fig. 32

Adjusting the electrodes

Important Note: Check the ignition and detection electrodes after removing/adjusting the combustion head.

	ATTENTION: avoid the ignition and detection electrodes to contact metallic parts (blast tube, head, etc.), otherwise the boiler's operation would be compromised. Check the electrodes position after any intervention on the combustion head.
--	---

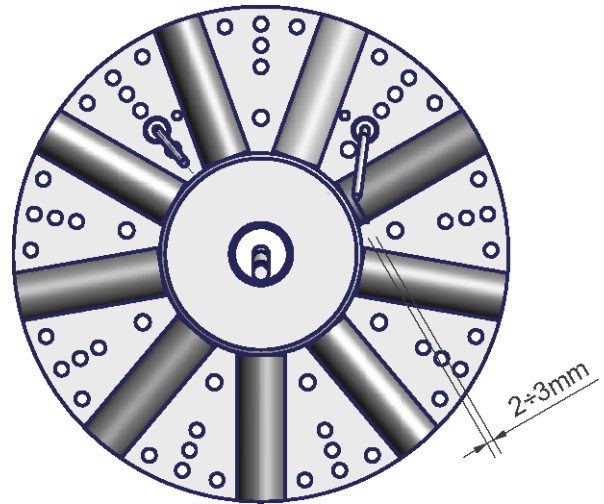
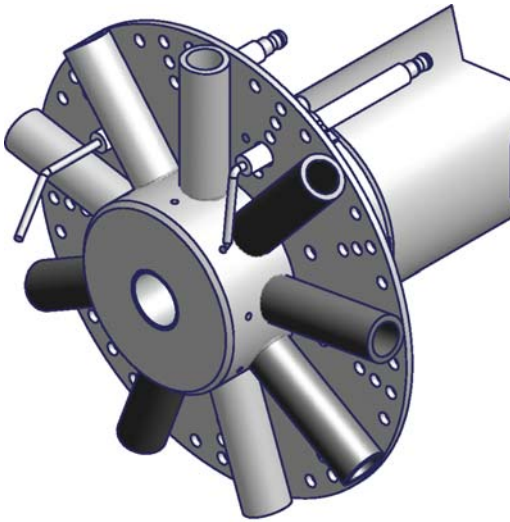


Fig. 33

Replacing the electrodes

	ATTENTION: avoid the ignition and detection electrodes to contact metallic parts (blast tube, head, etc.), otherwise the boiler's operation would be compromised. Check the electrodes position after any intervention on the combustion head.
--	---

To replace the electrodes, proceed as follows:

- 1 remove the burner cover
- 2 disconnect the electrodes cables;
- 3 loose the screws of the electrodes (**VB**);
- 4 remove the ignition electrodes and replace them paying attention to the measures shown in figure.

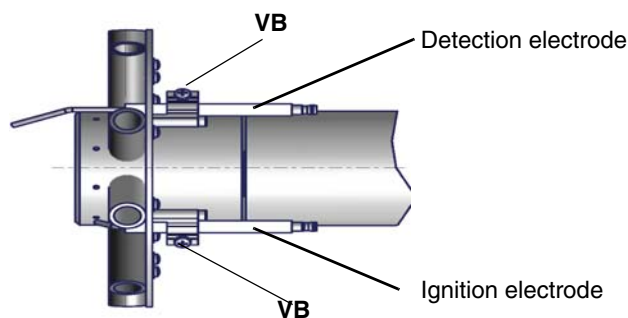


Fig. 34

Checking the detection current

To measure the detection signals refer to the diagram on the next picture.

If the signal is less than the indicated value, check the position of the detection electrode/UV detector, the electrical contacts and if necessary replace the detection electrode/UV detector .

Control box	Minimum detection signal
Siemens LME (with electrode)	3 μ A
Siemens LME (with UV detector)	3 μ A (Fig. 35) - 200 μ A (Fig. 36)

Test point for burners with PCB provided

To check the detection current, remove the jumper between terminals and connect the microamperemeter (see next picture).

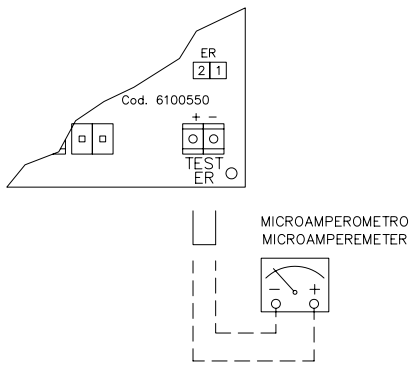


Fig. 35

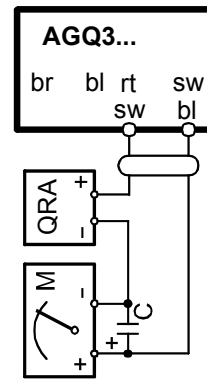


Fig. 36

Seasonal stop

To stop the burner in the seasonal stop, proceed as follows:

- 1 turn the burner's main switch to 0 (Off position)
- 2 disconnect the power mains
- 3 close the fuel cock of the supply line

Burner disposal

In case of disposal, follow the instructions according to the laws in force in your country about the "Disposal of materials".

TROUBLESHOOTING

CAUSE / FAULT	BURNER DOESN'T START	CONTINUE PRE-PURGUE	BURNER DOESN'T START AND LOCKS	BURNER DOESN'T START AND REPEATS THE CYCLE	BURNER STARTS AND REPEATS THE CYCLE	BURNER DOESN'T SWITCH TO HIGH FLAME	BURNER'S LOCKOUT DURING OPERATION	BURNER STOPS AND REPEATS CYCLE DURING OPERATION	BURNER'S LOCKOUT AFTER START	THE FLAME CONTROL DEV. REPEATS THE CYCLE WITHOUT GIVE CONSENT
MAIN SWITCH OPEN	●									
ABSENCE OF GAS	●									
MINIMUM GAS PRESSURE SWITCH FAULT OR BAD SETTING	●			●	●			●		
BOILER THERMOSTATS OPEN	●									
OVERLOAD TRIPPED INTERVENTION	●									
FUSES INTERVENTION	●									
AIR PRESSURE SWITCH FAULT OR BAD SETTING	●		●				●			●
DEFECTIVE FLAME CONTROL BOX	●	●	●				●			
DEFECTIVE AIR DAMPER ACTUATOR		●								
DEFECTIVE IGNITION TRANSFORMER			●							
IGNITION ELECTRODE WRONG POSITION			●							
BUTTERFLY VALVE BAD SETTING			●							
DEFECTIVE GAS GOVERNOR				●	●			●		
DEFECTIVE HI-LO FLAME THERMOSTAT						●				
ACTUATOR CAM BAD SETTING						●				
DETECTION ELECTRODE BAD POSITION OR DEFECTIVE DETECTION CIRCUIT							●		●	
REVERSED PHASE AND NEUTRAL CONNECTION									●	
PHASE-PHASE SUPPLY OR PRESENCE OF VOLTAGE ON NEUTRAL*									●	

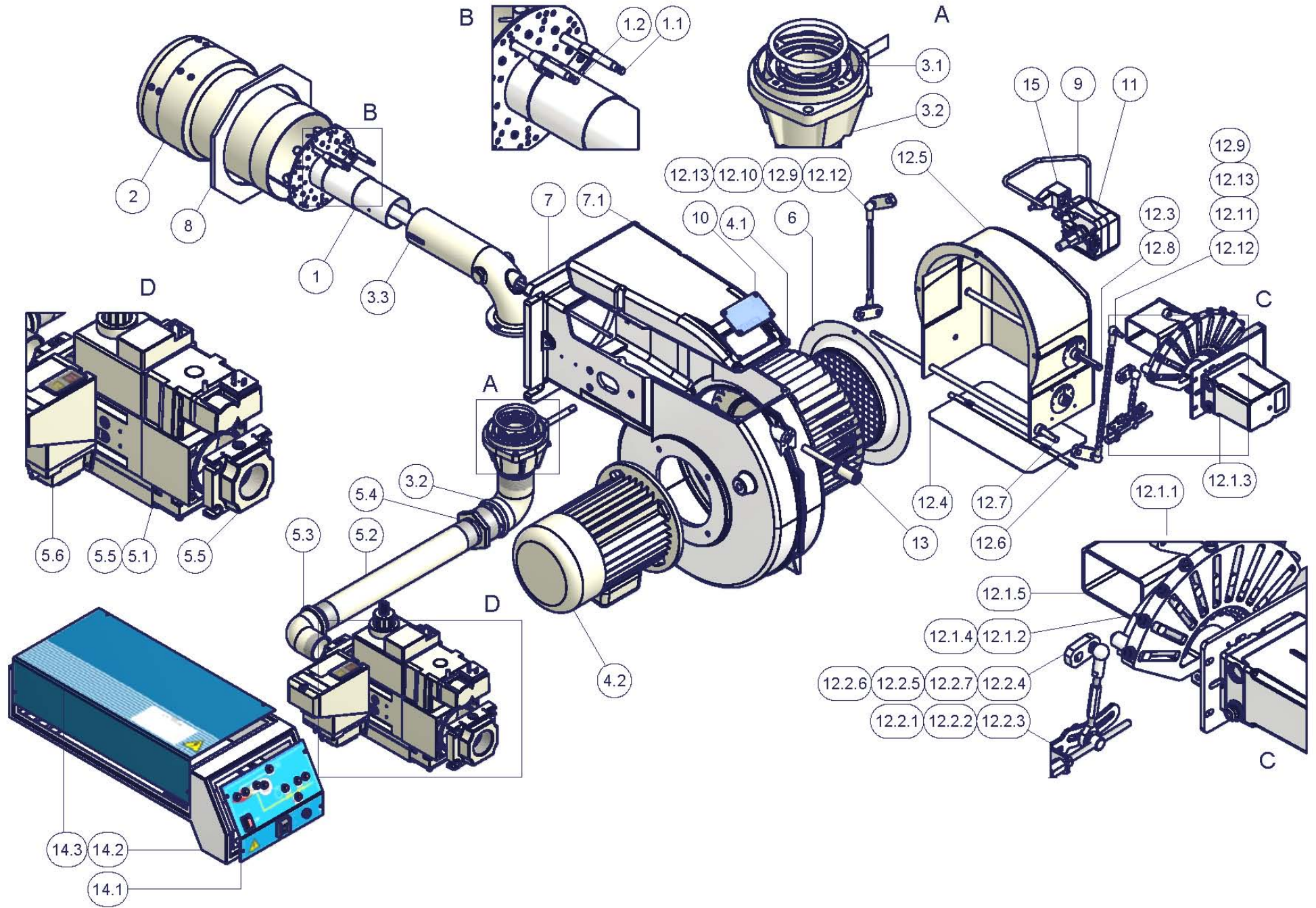
* In this case insert an RC filter (see Fig. 15)

BURNER EXPLODED VIEW

LX60

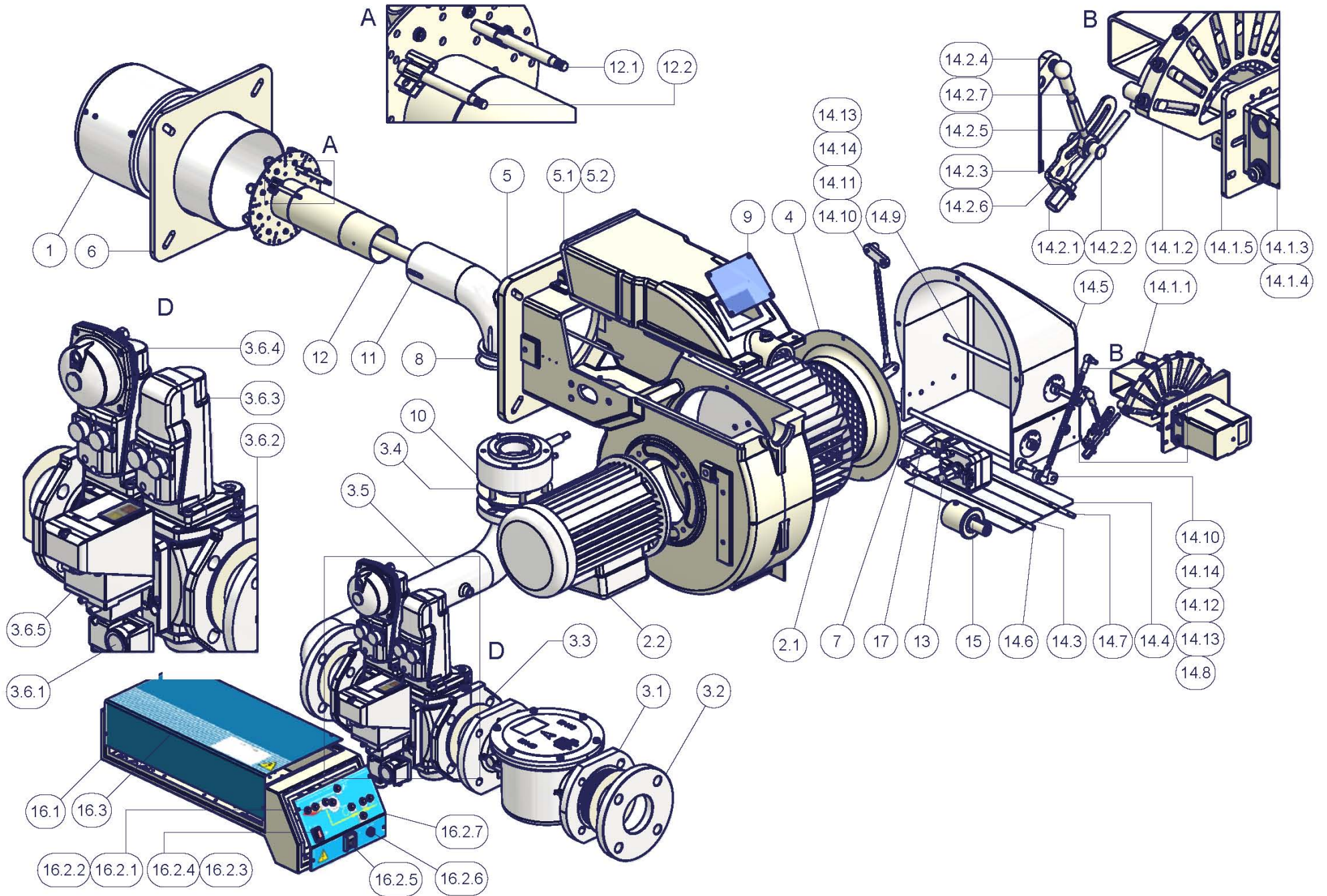
ITEM	DESCRIPTION
1	COMBUSTION HEAD
1.1	DETECTION ELECTRODE
1.2	IGNITION ELECTRODE
2	BLAST TUBE
3.1	"O" RING
3.2	BUTTERFLY GAS VALVE
3.3	GAS MANIFOLD
4.1	FAN WHEEL
4.2	MOTOR
5.1	GAS VALVES GROUP WITH GOVERNOR
5.2	THREADED GAS PIPE
5.3	ELBOW
5.4	REDUCTION
5.5	FLANGE
5.6	GAS PROVING SYSTEM
6	AIR INLET CONE
7	BURNER HOUSING
7.1	COVER
8	GENERATOR GASKET
9	AIR PRESSURE SWITCH PIPE
10	INSPECTION GLASS
11	AIR PRESSURE SWITCH
12.1.1	LEVERAGE
12.1.2	ADJUSTING CAM
12.1.3	ACTUATOR
12.1.4	ACTUATOR SHAFT

ITEM	DESCRIPTION
12.1.5	BRACKET
12.2.1	SCREW
12.2.2	SCREW
12.2.3	CAM
12.2.4	LEVERAGE
12.2.5	ROD
12.2.6	JOINT
12.2.7	JOINT
12.3	INDEX LABEL
12.4	AIR INTAKE DAMPER
12.5	AIR INTAKE
12.6	LOUVER SHAFT
12.7	THROTTLE SHAFT
12.8	ADJUSTING CAM SHAFT
12.9	LEVERAGE
12.10	ROD
12.11	ROD
12.12	JOINT
12.13	JOINT
13	HEAD ADJUSTING SCREW
14.1	FRONT CONTROL PANEL
14.2	BOARD
14.3	COVER
15	CONNECTOR



ITEM	DESCRIPTION
1	BLAST TUBE
2.1	FAN WHEEL
2.2	MOTOR
3.1	GAS FILTER
3.2	FLANGE
3.3	GASKET
3.4	GASKET
3.5	FLANGED PIPE
3.6.1	PRESSURE SWITCH
3.6.2	GAS VALVE
3.6.3	"SKP" ACTUATOR
3.6.4	"SKP" ACTUATOR
3.6.5	GAS PROVING SYSTEM
4	AIR INLET CONE
5	BURNER HOUSING
5.1	COVER
5.2	COVER EXTENSION
6	GASKET
7	AIR PRESSURE SWITCH PIPE
8	"O" RING
9	INSPECTION GLASS
10	BUTTERFLY GAS VALVE
11	MANIFOLD
12	COMBUSTION HEAD
12.1	DETECTION ELECTRODE
12.2	IGNITION ELECTRODE
13	AIR PRESSURE SWITCH ASS.Y
14.1.1	LEVERAGE
14.1.2	ADJUSTING CAM
14.1.3	ACTUATOR
14.1.4	CONNECTOR

ITEM	DESCRIPTION
14.1.5	BRACKET
14.2.1	NUT
14.2.2	SCREW
14.2.3	ADJSUTING CAM
14.2.4	CONNECTING ROD
14.2.5	ROD
14.2.6	JOINT
14.2.7	JOINT
14.3	AIR DAMPER
14.4	AIR DAMPER
14.5	AIR INLET
14.6	AIR DAMPER SHAFT
14.7	AIR DAMPER SHAFT
14.8	PIN
14.9	PIN
14.10	CONNECTING ROD
14.11	ROD
14.12	ROD
14.13	JOINT
14.14	JOINT
15	SCREW
16.1	ELECTRIC BOARD
16.2.1	RED LED
16.2.2	RED LED
16.2.3	UNLOCKING PUSHBUTTON
16.2.4	BUTTON COVER
16.2.5	SWITCH
16.2.6	FUSE
16.2.7	FRONT CONTROL PANEL
16.3	BOARD COVER
17	CONNECTOR



SPARE PARTS

DESCRIPTION	LX60			LX65	
	M-.xx.x.. .40	M-.xx.x.. .50	M-.xx.x.. .65	M-.xx.x.. .50	M-.xx.x.. .65
CONTROL BOX	2020468	2020468	2020468	2020468	2020468
IGNITION ELECTRODE	2080252	2080252	2080252	2080252	2080252
DETECTION ELECTRODE	2080106	2080106	2080106	2080106	2080106
GAS FILTER	---	-	2090117	---	2090117
GASKET	2110013	2110013	2110013	2110033	2110033
FAN WHEEL	2150044	2150044	2150044	2150038	2150038
AIR PRESSURE SWITCH	2160065	2160065	2160065	2160065	2160065
GAS PRESSURE SWITCH	2160077	2160077	2160076	2160077	2160076
IGNITION TRANSFORMER	2170301	2170301	2170301	2170301	2170301
MOTOR	218025501	218025501	218025501	218020301	218020301
ACTUATOR mod. SIEMENS SKP15	---	2190181	2190181	2190181	2190181
ACTUATOR mod. SIEMENS SKP25	---	2190183	2190183	2190183	2190183
VALVE GROUP mod. DUNGS MB-DLE	21903L3	21903E0	-	21903E0	-
VALVE GROUP mod. DUNGS MBC	-	21903L7	21903M6	21903N0	21903M6
VALVE GROUP mod. SIEMENS VGD	-	2190171	2190172	2190171	2190172
GAS PROVING SYSTEM (option)	2191604	2191604	2191604	2191604	2191604
ACTUATOR (double stage)	2480042	2480042	2480042	2480042	2480042
ACTUATOR (progressive and fully-modulating)	2480053	2480053	2480053	2480053	2480053
BURNER MODULATOR (Only for Fully-modulating burners)	2570112	2570112	2570112	2570112	2570112
COMBUSTION HEAD S*	30600C0	30600C0	30600C0	30600H1	30600H1
COMBUSTION HEAD L*	30600C4	30600C4	30600C4	30600K1	30600K1
BLAST TUBE S*	30900F2	30900F2	30900F2	30910L1	30910L1
BLAST TUBE L*	30910F3	30910F3	30910F3	30910L8	30910L8
IGNITION CABLE	6050108	6050108	6050108	6050108	6050108
DETECTION CABLE	6050205	6050205	6050205	6050205	6050205
PRINTED CIRCUIT BOARD	6100550	6100550	6100550	6100550	6100550

L* = extended blast tube - S* = standard blast tube

DESCRIPTION	LX72		
	M-xx.x.. .50	M-xx.x.. .65	M-xx.x.. .80
CONTROL BOX	2020468	2020468	2020468
IGNITION ELECTRODE	2080269	2080269	2080269
DETECTION ELECTRODE	2080106	2080106	2080106
GAS FILTER	---	2090117	2090112
GASKET	2110033	2110033	2110033
FAN WHELL	2150038	2150038	2150038
AIR PRESSURE SWITCH	2160065	2160065	2160065
GAS PRESSURE SWITCH	2160077	2160076	2160076
IGNITION TRANSFORMER	2170301	2170301	2170301
MOTOR	218021101	218021101	218021101
VALVE GROUP mod. DUNGS MB-DLE	21903E0	-	-
VALVE GROUP mod. DUNGS MBC	21903L7	21903M6	21903M7
VALVE GROUP mod. SIEMENS VGD	2190171	2190172	2190169
"ACTUATOR mod. SIEMENS SKP15	2190181	2190181	2190181
ACTUATOR mod. SIEMENS SKP25	2190183	2190183	2190183
GAS PROVING SYSTEM)	2191604	2191604	2191604
ACTUATOR (double stage)	2480042	2480042	2480042
ACTUATOR (progressive and modulating)	2480053	2480053	2480053
MODULATOR (Fully-modulating burners)	2570112	2570112	2570112
COMBUSTION HEAD (blast tube S*)	30600E2	30600E2	30600E2
COMBUSTION HEAD (blast tube L*)	30600E8	30600E8	30600E8
BLAST TUBE S*	30910G2	30910G2	30910G2
BLAST TUBE L*	30910G8	30910G8	30910G8
IGNITION CABLE	6050112	6050112	6050112
DETECTION CABLE	6050205	6050205	6050205
PRINTED CIRCUIT BOARD	6100550	6100550	6100550

L* = extended blast tube - S* = standard blast tube

WIRING DIAGRAMS**Wiring diagram cod. 18-082/1 - Burners fitted with MBC valves group****Wiring diagram cod. 18-083/1 Burners without MBC valves group**

BV	Fan motor contactor coil
CMF	Operation manual selector: 0) stop - 1) high flame - 2) low flame - 3) automatic
CTV	Fan motor overload tripped terminals
CV	Fan motor contactor terminals
ER	Flame detection electrode
EV1	Gas network side solenoid valve (or valves group)
EV2	Burner side solenoid valve (or valves group)
F÷F2	Fuses
IG	Mains switch
IL	Line switch
L	Phase
LAF	Burner high flame operation light
LB	Burner lockout light
LBF	Burner in low flame operation light
LEV1	Signal light for EV1 solenoid valve opening
LEV2	Signal light for EV2 solenoid valve opening
LGB/LME22.33	SIEMENS flame control box
LPGMIN	Signal light for low gas pressure in the network
LSPG	Valves leakage signal light
LT	Motor overload tripped signal light
LTA	Ignition transformer in operation light
MA	Burner supply terminal board
MC	Burner components connection terminal board
MV	Fan motor
N	Neutral
PA	Air pressure switch
PGMAX	Maximum gas pressure switch (optional, if fitted remove the bridge between terminals 156 and 158 on terminal board MC)
PGMIN	Minimum gas pressure switch
PS	Reset pushbutton for flame control box
Pt100	Connection for thermoresistor Pt100
RWF40.000*	Landis modulator
SD 0/4÷20 mA	Probe connection with signal 0÷20 mA / 4÷20 mA
SD 0÷10 V	Probe connection with signal 0÷10 V
SD-PRESS.	Pressure probe connection, 3 wires (SIEMENS QBE620...)
SD-TEMP	Temperature probe connection 2 wires (Pt1000 o SIEMENS QAE2..-QAC2..)
SQN30.251	SIEMENS actuator for air damper (alternate)
SQN70.424A20	SIEMENS actuator for air damper (alternate)
ST	Group of thermostats or pressure switches
STA12B3.41/63N21L	BERGER actuator for air damper
STA15B3.41/83N21L	BERGER actuator for air damper (alternate)
TA	Ignition transformer
TV	Fan motor overload tripped
VPS504	Dungs gas proving system (option, if fitted remove the bridge between terminals 177 and 178 on terminal board MC)

*The modulator includes a limit switch (terminals Q 13 and Q14 on RWF40); it stops the burner if the working parameter overcomes the set differential.

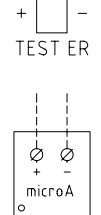
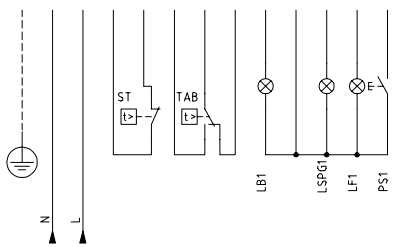
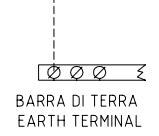
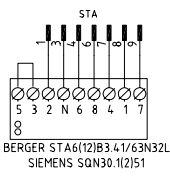
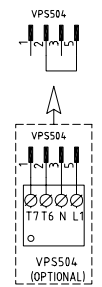
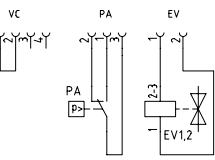
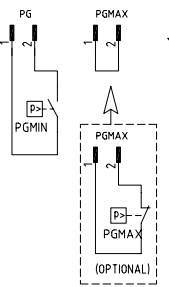
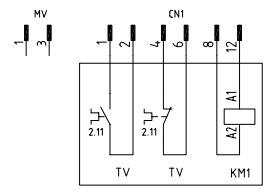
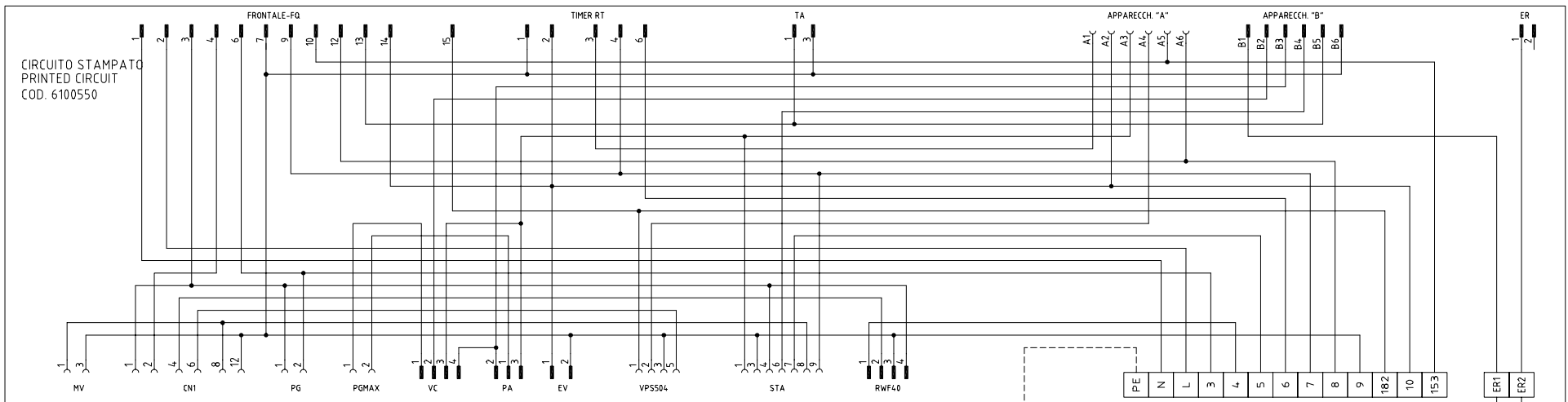
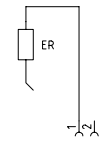
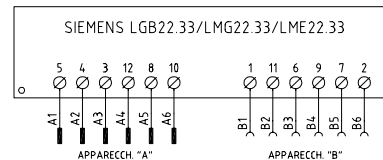
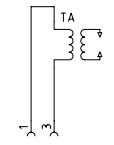
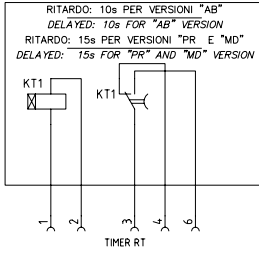
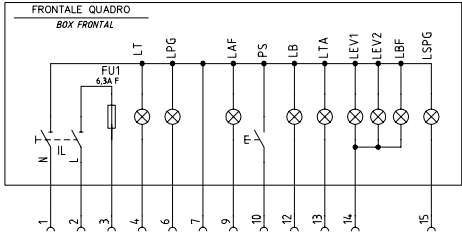
ACTUATOR CAMS POSITION

	BERGER STA6(12)B3.41/63N32L	SIEMENS SQN30.1(2)51A
High flame position (set to 90°)	ST2	I
Low flame and ignition position	ST1	III
Stand-by position (set to 0°)	ST0	II
Not used	MV	V

ATTENTION:

- 1 - Power supply: 400V 50Hz 3N a.c.three-phase and 230V 50Hz 1N a.c. monophas
- 2 - Don't reverse phase and neutral
- 3 - Ensure the burner is properly earthed

VERSIONE ALTA-BASSA FIAMMA "AB" / PROGRESSIVO "PR"
 "AB" HIGH-LOW / "PR" PROGRESSIVE VERSION

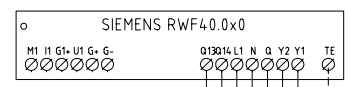
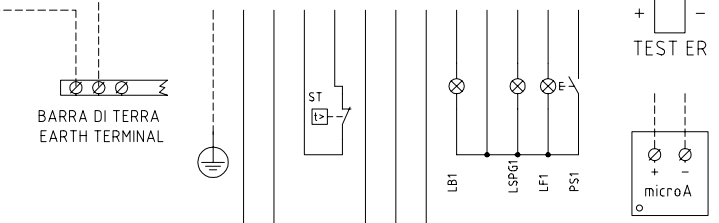
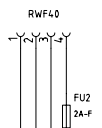
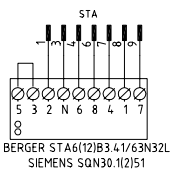
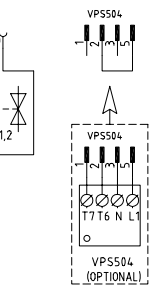
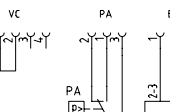
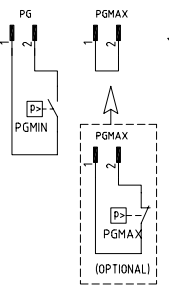
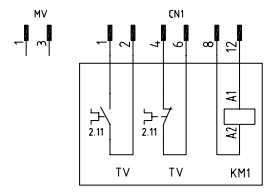
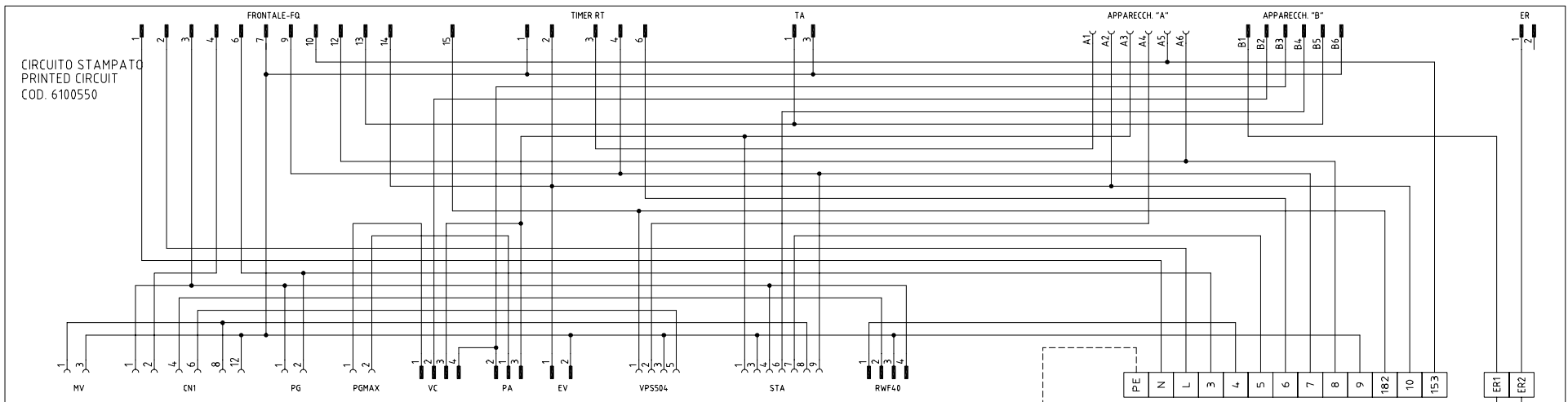
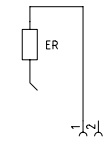
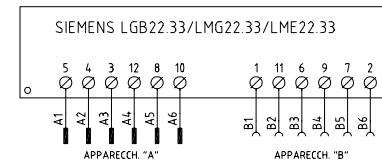
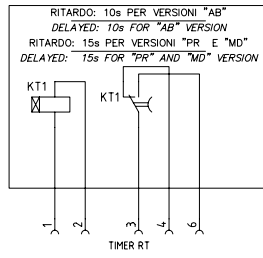
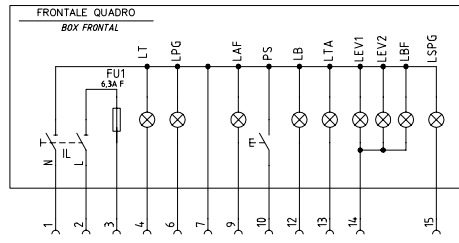


ALIMENTAZIONE AUSILIARI BRUCIATORE
 BURNER AUXILIARY SUPPLY

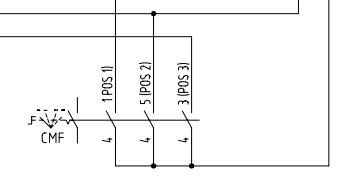
VEDI FOGLIO [3]
 SEE SHEET [3]

Data	10/12/2007	PREC.	FOGLIO
Revisione	02	/	1
Dis. N.	18 - 082	SEGUE	TOTALE
		2	3

VERSIONE MODULANTE "MD"
"MD" MODULATING VERSION



COLLEGAMENTO SONDE
PROBE CONNECTION

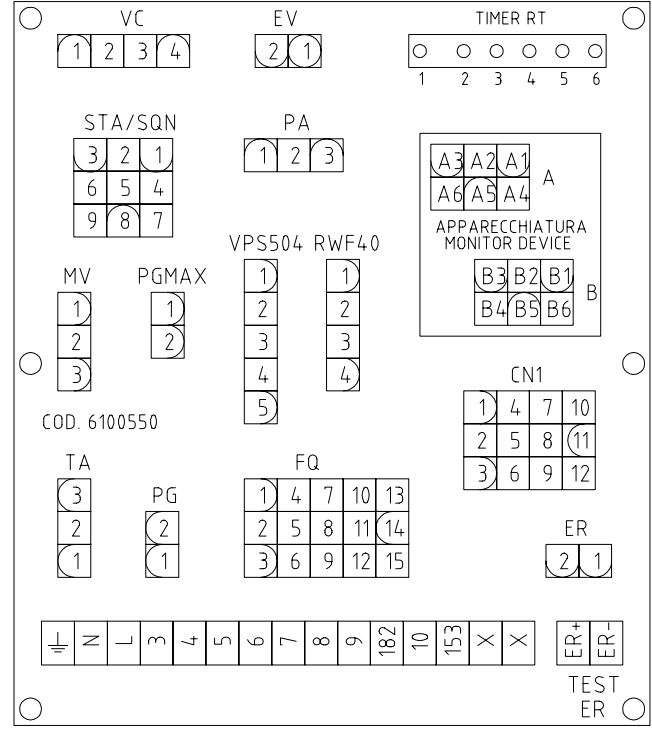
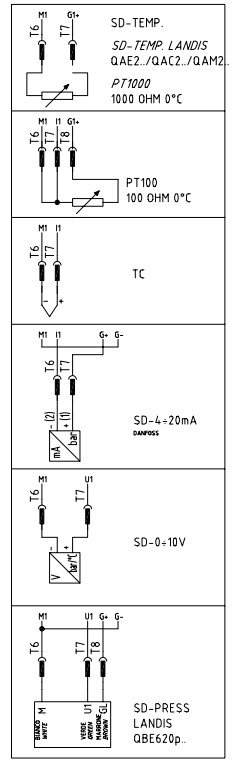


Data	10/12/2007	PREC.	FOGLIO
Revisione	02	1	2
Dis. N.	18 - 082	SEGUE	TOTALE
		3	3

SIGLA/ITEM	FUNZIONE	FUNCTION
BERGER STA6(12)B3.4/1/63N32	SERVOCOMANDO SERRANDA ARIA	AIR DAMPER SERVO CONTROL
CMF	COMMUT. MANUALE FUNZ. 0(FERMO 1)ALTA FIAMMA 2)BASSA FIAMMA 3)AUTOMATICA	MANUAL SWITCH 0(OFF 1)HIGH FLAME 2)LOW FLAME 3)AUTOMATIC
ER	ELETTRODO RIVELAZIONE FIAMMA	FLAME DETECTION ELECTRODE
EV1,2	ELETTROVALVOLE GAS (O GRUPPO VALVOLE)	GAS ELECTRO-VALVES (OR VALVES GROUP)
FU1	FUSIBILE DI LINEA	LINE FUSE
FU2	FUSIBILE AUSILIARIO	AUXILIARY FUSE
FU3	FUSIBILI LINEA MOTORE VENTILATORE	FAN MOTOR LINE FUSES
FU4	FUSIBILE DI LINEA	LINE FUSE
IB	INTERRUTTORE LINEA BRUCIATORE	BURNER LINE SWITCH
IG	INTERRUTTORE GENERALE	MAIN DISCONNECTOR
IL	INTERRUTTORE LINEA AUSILIARI	AUXILIARY LINE SWITCH
KM1	CONTATTORE MOTORE VENTILATORE	FAN MOTOR CONTACTOR
KT1	TEMPORIZZATORE	TIMER
LAF	LAMPADA SEGNALE ALTA FIAMMA BRUCIATORE	BURNER IN HIGH FLAME INDICATOR LIGHT
LB	LAMPADA SEGNALE BLOCCO BRUCIATORE	INDICATOR LIGHT FOR BURNER LOCK-OUT
LB1	LAMPADA SEGNALE BLOCCO BRUCIATORE	INDICATOR LIGHT FOR BURNER LOCK-OUT
LBF	LAMPADA SEGNALE BASSA FIAMMA BRUCIATORE	BURNER IN LOW FLAME INDICATOR LIGHT
LEV1	LAMPADA SEGNALE APERTURA [EV1]	INDICATOR LIGHT FOR OPENING OF ELECTRO-VALVE [EV1]
LEV2	LAMPADA SEGNALE APERTURA [EV2]	INDICATOR LIGHT FOR OPENING OF ELECTRO-VALVE [EV2]
LF1	LAMPADA SEGNALE FUNZIONAMENTO BRUCIATORE	INDICATOR LIGHT BURNER OPERATION
LPG	LAMPADA SEGNALE PRESENZA GAS IN RETE	INDICATOR LIGHT FOR PRESENCE OF GAS IN THE NETWORK
LSPG	LAMPADA SEGNALE BLOCCO CONTROLLO TENUTA VALVOLE	INDICATOR LIGHT FOR LEAKAGE OF GAS IN VALVES
LSPG1	LAMPADA SEGNALE BLOCCO CONTROLLO TENUTA VALVOLE	INDICATOR LIGHT FOR LEAKAGE OF VALVES
LT	LAMPADA SEGNALE BLOCCO TERMICO	INDICATOR LIGHT FOR MOTOR THERMAL CUTOUT

SIGLA/ITEM	FUNZIONE	FUNCTION
LTA	LAMPADA SEGNALE TRASFORMATORE DI ACCENSIONE	IGNITION TRANSFORMER INDICATOR LIGHT
microA	MICROAMPEROMETRO	MICROAMMETER
MV	MOTORE VENTILATORE	FAN MOTOR
PA	PRESSOSTATO ARIA COMBURENTE	COMBUSTION AIR PRESSURE SWITCH
PGMAX	PRESSOSTATO GAS DI MASSIMA PRESSIONE	MAXIMUM PRESSURE GAS SWITCH
PGMIN	PRESSOSTATO GAS DI MINIMA PRESSIONE	MINIMUM GAS PRESSURE SWITCH
PS	PULSANTE SBLOCCO FIAMMA	LOCK-OUT RESET BUTTON
PS1	PULSANTE SBLOCCO FIAMMA	LOCK-OUT RESET BUTTON
PT100	SONDA DI TEMPERATURA	TEMPERATURE PROBE
SD-0-10V	SEGNALE IN TENSIONE	TENSION SIGNAL
SD-4+20mA	SEGNALE IN CORRENTE	CURRENT SIGNAL
SD-PRESS	SONDA DI PRESSIONE	PRESSURE PROBE
SD-TEMP	SONDA DI TEMPERATURA	TEMPERATURE PROBE
SIEMENS LGB22.33/LMG22.33/LME22.33	APPARECCHIATURA CONTROLLO FIAMMA	FLAME MONITOR DEVICE
SIEMENS RWF4.0.0x0	REGOLATORE MODULANTE	BURNER MODULATOR
SIEMENS SQN30.1(2)51	SERVOCOMANDO SERRANDA ARIA (ALTERNATIVO)	AIR DAMPER SERVO CONTROL (ALTERNATIVE)
ST	SERIE TERMOSTATI/PRESSOSTATI	SERIES OF THERMOSTATS OR PRESSURE SWITCHES
TA	TRASFORMATORE DI ACCENSIONE	IGNITION TRANSFORMER
TAB	TERMOSTATO/PRESSOSTATO ALTA-BASSA FIAMMA	HIGH-LOW THERMOSTAT/PRESSURE SWITCHES
TC	TERMOCOPIA	THERMOCOUPLE
TS	TERMOSTATO/PRESSOSTATO DI SICUREZZA	SAFETY THERMOSTAT OR PRESSURE SWITCH
TV	TERMICO MOTORE VENTILATORE	FAN MOTOR THERMAL
VPS504	CONTROLLO DI TENUTA VALVOLE GAS (OPZIONALE)	GAS LEAKAGE MONITOR DEVICE (OPTIONAL)

(xx)
COLLEGAMENTO SONDE
PROBE CONNECTION



CAMME SERVOCOMANDO SERRANDA ARIA
CAMS OF AIR DAMPER SERVO CONTROL
BERGER STA6(12)B3.4/1/63N32L

ST2 ALTA FIAMMA
HIGH FLAME

ST0 SOSTA
STAND-BY

ST1 ACCENSIONE
IGNITION

MV BASSA FIAMMA
LOW FLAME

CAMME SERVOCOMANDO SERRANDA ARIA
CAMS OF AIR DAMPER SERVO CONTROL
SIEMENS SQN30.1(2)51A

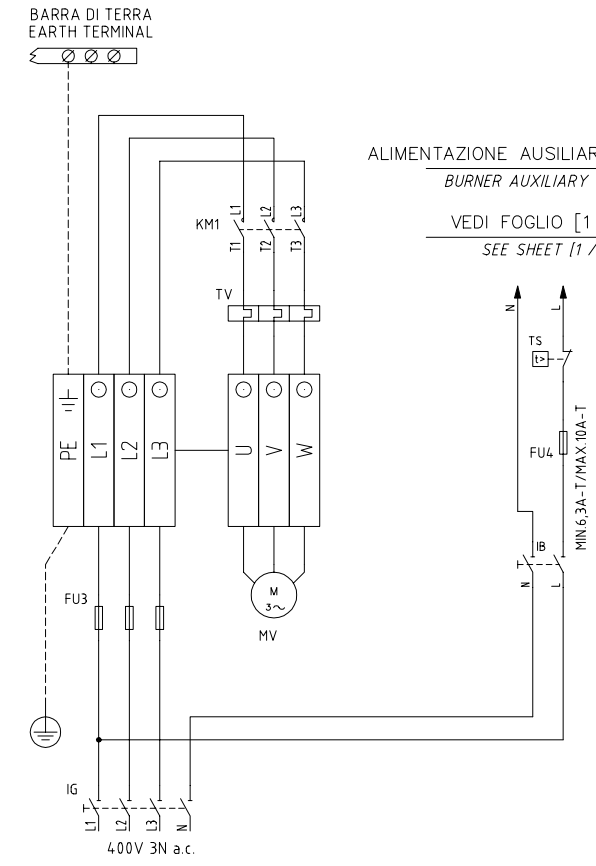
I ALTA FIAMMA
HIGH FLAME

II SOSTA
STAND-BY

III ACCENSIONE
IGNITION

V BASSA FIAMMA
LOW FLAME

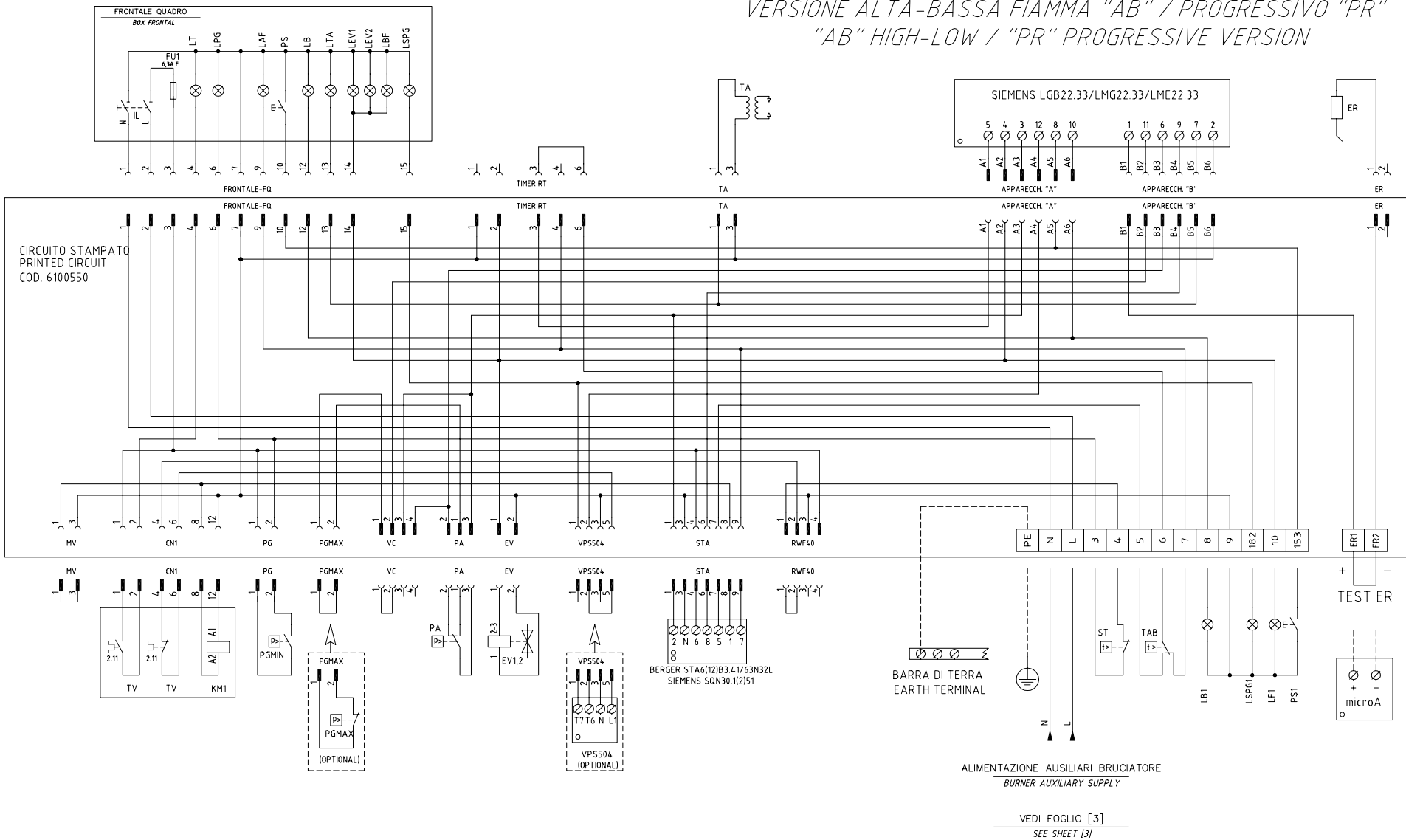
QG - MC1
MORSETTIERA COLLEGAMENTO LINEA E MOTORE TRIFASE
LINE AND THREE PHASES CONNECTION TERMINAL



ALIMENTAZIONE AUSILIARI BRUCIATORE
BURNER AUXILIARY SUPPLY
VEDI FOGLIO [1 / 2]
SEE SHEET [1 / 2]

Data	10/12/2007	PREC.	FOGLIO
Revisione	02	2	3
Dis. N.	18 - 082	SEGUE	TOTALE
		/	3

VERSIONE ALTA-BASSA FIAMMA "AB" / PROGRESSIVO "PR"
 "AB" HIGH-LOW / "PR" PROGRESSIVE VERSION

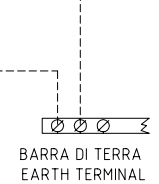
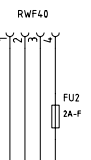
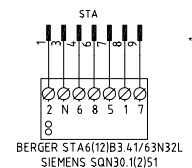
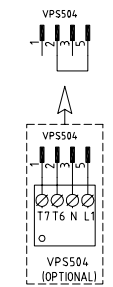
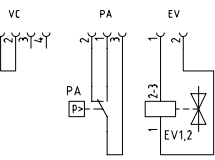
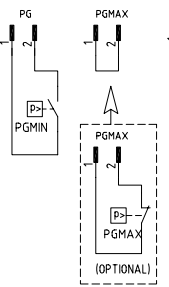
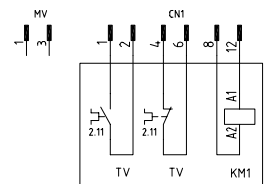
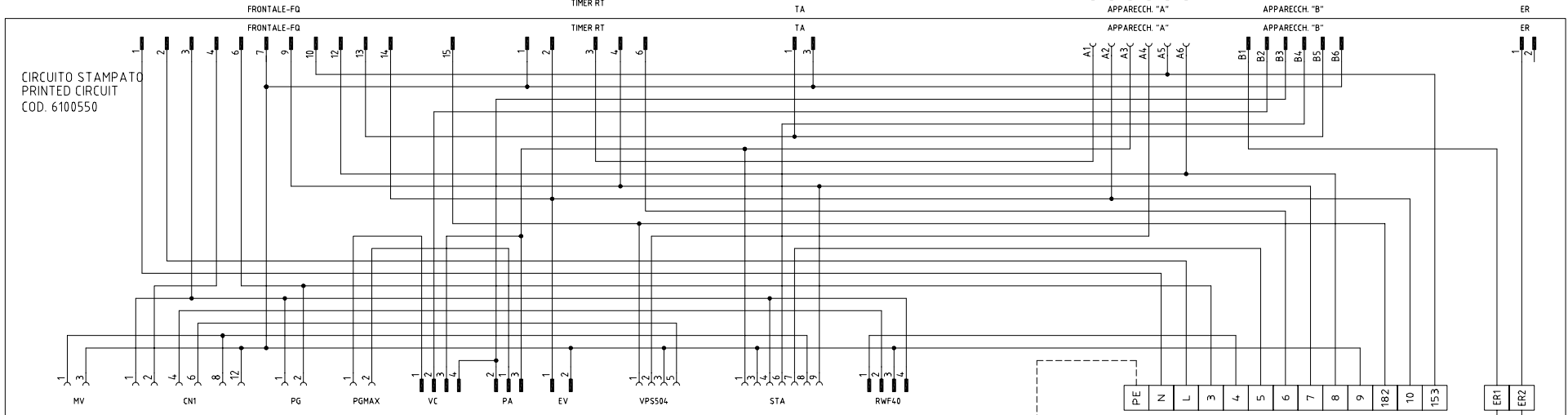
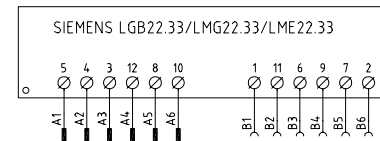
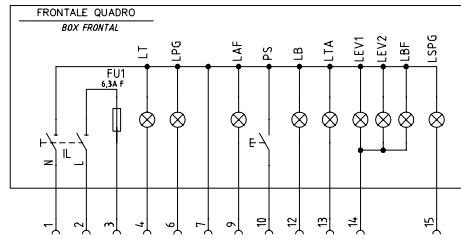


ALIMENTAZIONE AUSILIARI BRUCIATORE
 BURNER AUXILIARY SUPPLY

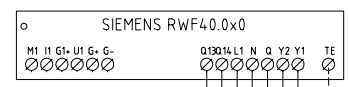
VEDI FOGLIO [3]
 SEE SHEET [3]

Data	10/12/2007	PREC.	FOGLIO
Revisione	02	/	1
Dis. N.	18 - 083	SEGUE	TOTALE
		2	3

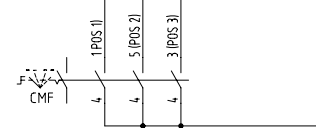
VERSIONE MODULANTE "MD"
 "MD" MODULATING VERSION



ALIMENTAZIONE AUSILIARI BRUCIATORE
 BURNER AUXILIARY SUPPLY
 VEDI FOGLIO [3]
 SEE SHEET [3]



COLLEGAMENTO SONDE
 PROBE CONNECTION

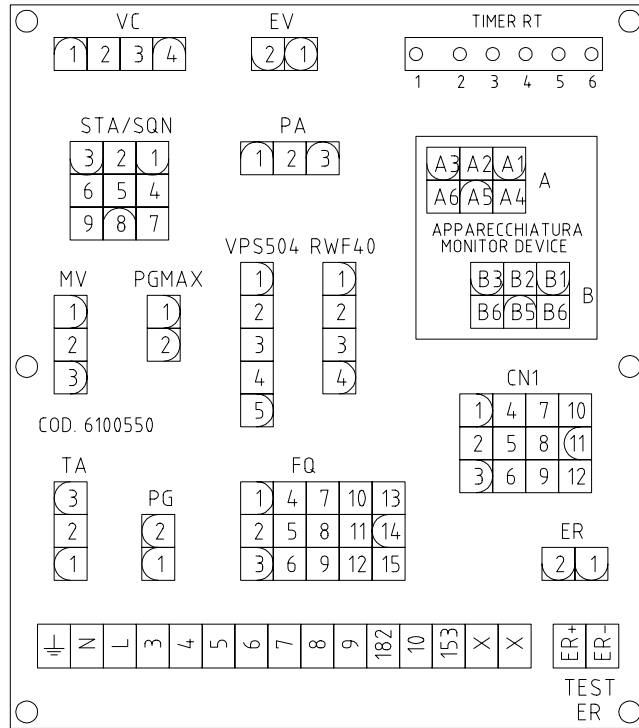
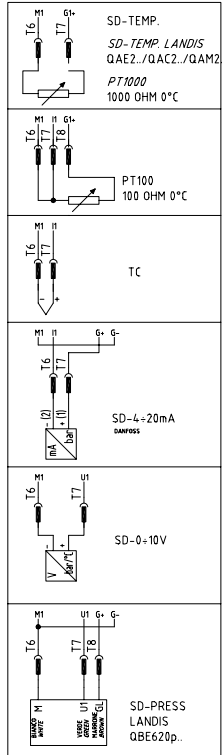


Data	10/12/2007	PREC.	FOGLIO
Revisione	02	1	2
Dis. N.	18 - 083	SEGUE	TOTALE
		3	3

SIGLA/ITEM	FUNZIONE	FUNCTION
BERGER STA6(12)B3.4/1/63N32L	SERVOCOMANDO SERRANDA ARIA	AIR DAMPER SERVO CONTROL
CMF	COMMUT. MANUALE FUNZ. DIFERMO 1)ALTA FIAMMA 2)BASSA FIAMMA 3)AUTOMATA	MANUAL SWITCH (OFF) 1)HIGH FLAME 2)LOW FLAME 3)AUTOMATIC
ER	ELETTRODO RIVELAZIONE FIAMMA	FLAME DETECTION ELECTRODE
EV1,2	ELETTROVALVOLE GAS (O GRUPPO VALVOLE)	GAS ELECTRO-VALVES (OR VALVES GROUP)
FU1	FUSIBILE DI LINEA	LINE FUSE
FU2	FUSIBILE AUSILIARIO	AUXILIARY FUSE
FU3	FUSIBILI LINEA MOTORE VENTILATORE	FAN MOTOR LINE FUSES
FU4	FUSIBILE DI LINEA	LINE FUSE
IB	INTERRUTTORE LINEA BRUCIATORE	BURNER LINE SWITCH
IG	INTERRUTTORE GENERALE	MAIN DISCONNECTOR
IL	INTERRUTTORE LINEA AUSILIARI	AUXILIARY LINE SWITCH
KM1	CONTATTORE MOTORE VENTILATORE	FAN MOTOR CONTACTOR
LAF	LAMPADA SEGNALE ALTA FIAMMA BRUCIATORE	BURNER IN HIGH FLAME INDICATOR LIGHT
LB	LAMPADA SEGNALE BLOCCO BRUCIATORE	INDICATOR LIGHT FOR BURNER LOCK-OUT
LB1	LAMPADA SEGNALE BLOCCO BRUCIATORE	INDICATOR LIGHT FOR BURNER LOCK-OUT
LBF	LAMPADA SEGNALE BASSA FIAMMA BRUCIATORE	BURNER IN LOW FLAME INDICATOR LIGHT
LEV1	LAMPADA SEGNALE APERTURA [EV1]	INDICATOR LIGHT FOR OPENING OF ELECTRO-VALVE [EV1]
LEV2	LAMPADA SEGNALE APERTURA [EV2]	INDICATOR LIGHT FOR OPENING OF ELECTRO-VALVE [EV2]
LF1	LAMPADA SEGNALE FUNZIONAMENTO BRUCIATORE	INDICATOR LIGHT BURNER OPERATION
LPG	LAMPADA SEGNALE PRESENZA GAS IN RETE	INDICATOR LIGHT FOR PRESENCE OF GAS IN THE NETWORK
LSPG	LAMPADA SEGNALE BLOCCO CONTROLLO TENUTA VALVOLE	INDICATOR LIGHT FOR LEAKAGE OF VALVES
LSPG1	LAMPADA SEGNALE BLOCCO CONTROLLO TENUTA VALVOLE	INDICATOR LIGHT FOR LEAKAGE OF VALVES
LT	LAMPADA SEGNALE BLOCCO TERMICO	INDICATOR LIGHT FOR MOTOR THERMAL CUTOUT

SIGLA/ITEM	FUNZIONE	FUNCTION
LTA	LAMPADA SEGNALE TRASFORMATORE DI ACCENSIONE	IGNITION TRANSFORMER INDICATOR LIGHT
microA	MICROAMPEROMETRO	MICROAMMETER
MV	MOTORE VENTILATORE	FAN MOTOR
PA	PRESSOSTATO ARIA COMBURENTE	COMBUSTION AIR PRESSURE SWITCH
PGMAX	PRESSOSTATO GAS DI MASSIMA PRESSIONE	MAXIMUM PRESSURE GAS SWITCH
PGMIN	PRESSOSTATO GAS DI MINIMA PRESSIONE	MINIMUM GAS PRESSURE SWITCH
PS	PULSANTE SBLOCCO FIAMMA	LOCK-OUT RESET BUTTON
PS1	PULSANTE SBLOCCO FIAMMA	LOCK-OUT RESET BUTTON
PT100	SONDA DI TEMPERATURA	TEMPERATURE PROBE
SD-0-10V	SEGNALE IN TENSIONE	TENSION SIGNAL
SD-4-20mA	SEGNALE IN CORRENTE	CURRENT SIGNAL
SD-PRESS	SONDA DI PRESSIONE	PRESSURE PROBE
SD-TEMP.	SONDA DI TEMPERATURA	TEMPERATURE PROBE
SIEMENS L6R22.33/LM622.33/LME22.33	APPARECCHIATURA CONTROLLO FIAMMA	FLAME MONITOR DEVICE
SIEMENS RWF4.0.0x0	REGOLATORE MODULANTE	BURNER MODULATOR
SIEMENS SQN30.1(2)51	SERVOCOMANDO SERRANDA ARIA (ALTERNATIVO)	AIR DAMPER SERVO CONTROL (ALTERNATIVE)
ST	SERIE TERMOSTATI/PRESSOSTATI	SERIES OF THERMOSTATS OR PRESSURE SWITCHES
TA	TRASFORMATORE DI ACCENSIONE	IGNITION TRANSFORMER
TAB	TERMOSTATO/PRESSOSTATO ALTA-BASSA FIAMMA	HIGH-LOW THERMOSTAT/PRESSURE SWITCHES
TC	TERMOCOPPIA	THERMOCOUPLE
TS	TERMOSTATO/PRESSOSTATO DI SICUREZZA	SAFETY THERMOSTAT OR PRESSURE SWITCH
TV	TERMICO MOTORE VENTILATORE	FAN MOTOR THERMAL
VPS504	CONTROLLO DI TENUTA VALVOLE GAS (OPZIONALE)	GAS LEAKAGE MONITOR DEVICE (OPTIONAL)

(xx)
COLLEGAMENTO SONDE
PROBE CONNECTION



CAMME SERVOCOMANDO SERRANDA ARIA
CAMS OF AIR DAMPER SERVO CONTROL

BERGER STA6(12)B3.4/1/63N32L

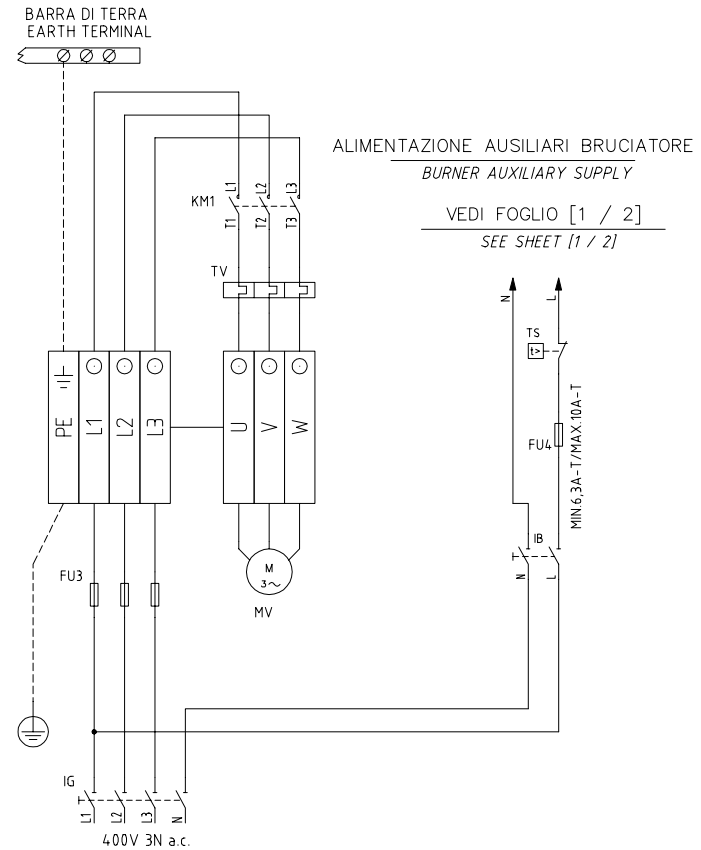
- ST2 ALTA FIAMMA
HIGH FLAME
- ST0 SOSTA
STAND-BY
- ST1 BASSA FIAMMA E ACCENSIONE
LOW FLAME AND IGNITION
- MV NON USATA
NOT USED

CAMME SERVOCOMANDO SERRANDA ARIA
CAMS OF AIR DAMPER SERVO CONTROL

SIEMENS SQN30.1(2)51A

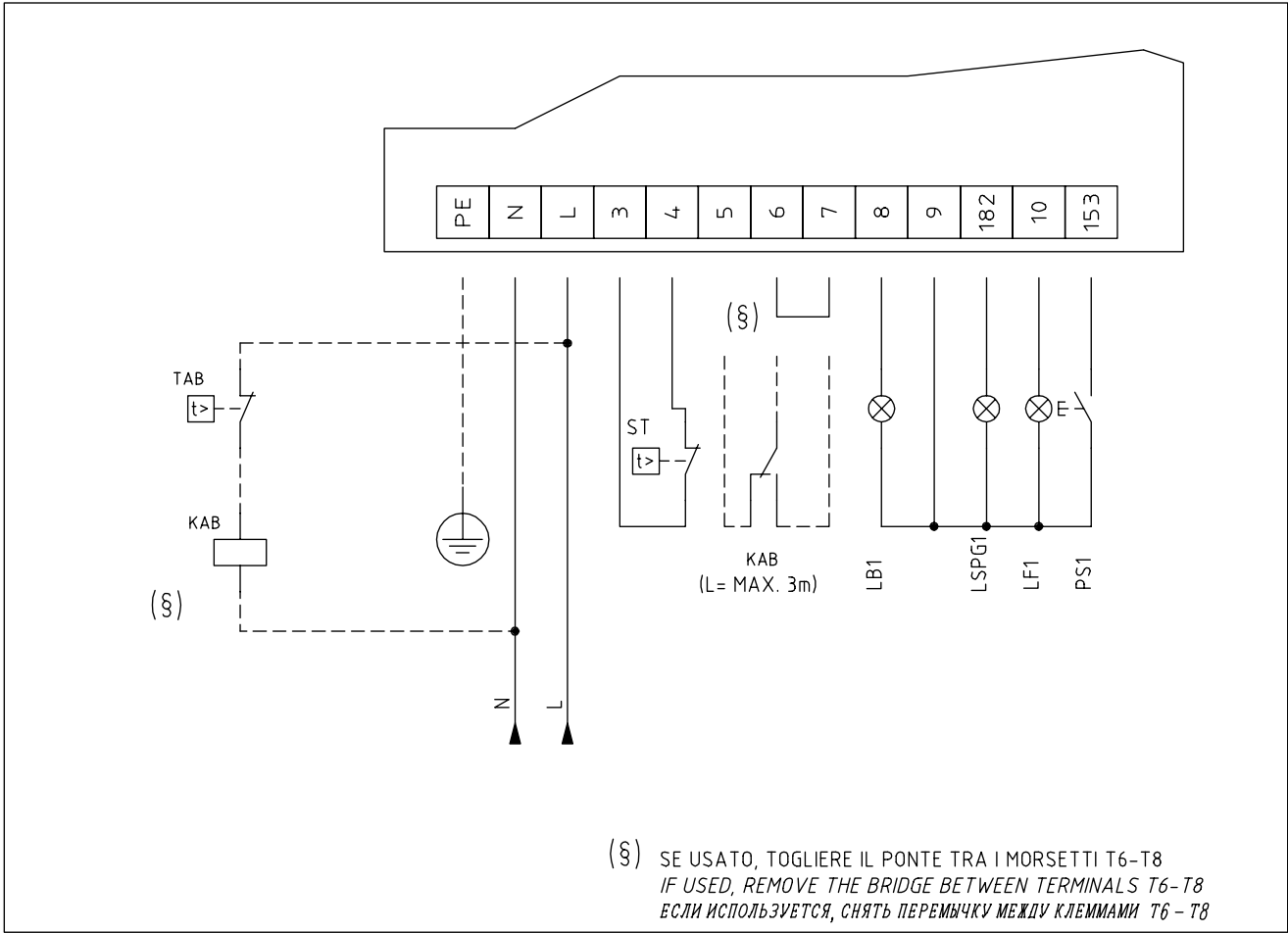
- I ALTA FIAMMA
HIGH FLAME
- II SOSTA
STAND-BY
- III BASSA FIAMMA E ACCENSIONE
LOW FLAME AND IGNITION
- V NON USATA
NOT USED

QG - MC1
MORSETTIERA COLLEGAMENTO LINEA E MOTORE TRIFASE
LINE AND THREE PHASES CONNECTION TERMINAL



Data	10/12/2007	PREC.	FOGLIO
Revisione	02	2	3
Dis. N.	18 - 083	SEGUE	TOTALE
		/	3

VERSIONE ALTA-BASSA FIAMMA / PROGRESSIVO CON RELE' "KAB" DI SEZIONAMENTO
 HIGH-LOW / PROGRESSIVE VERSION WITH "KAB" SECTIONING RELAY
 ИСПОЛНЕНИЕ ДВУХСТУПЕНЧАТОЕ / ПРОГРЕССИВНОЕ С РАЗДЕЛИТЕЛЬНЫМ РЕЛЕ «КАВ»



Data	26/06/2008	PREC. /	FOGLIO 1
Revisione	00		SEGUE 2
Dis. N.	TAB_2		

SIGLA/ITEM	FUNZIONE	FUNCTION
KAB	RELE' AUSILIARIO	AUXILIARY RELAY
LB1	LAMPADA SEGNALAZIONE BLOCCO BRUCIATORE	INDICATOR LIGHT FOR BURNER LOCK-OUT
LF1	LAMPADA SEGNALAZIONE FUNZIONAMENTO BRUCIATORE	INDICATOR LIGHT BURNER OPERATION
LSPG1	LAMPADA SEGNALAZIONE BLOCCO CONTROLLO TENUTA VALVOLE	INDICATOR LIGHT FOR LEAKAGE OF VALVES
PS1	PULSANTE SBLOCCO FIAMMA	LOCK-OUT RESET BUTTON
ST	SERIE TERMOSTATI/PRESSOSTATI	SERIES OF THERMOSTATS OR PRESSURE SWITCHES
TAB	TERMOSTATO/PRESSOSTATO ALTA-BASSA FIAMMA	HIGH-LOW THERMOSTAT/PRESSURE SWITCHES

SIGLA/ITEM	FUNZIONE	FUNCTION
KAB	RELE' AUSILIARIO	ВСПОМОГАТЕЛЬНОЕ РЕЛЕ
LB1	LAMPADA SEGNALAZIONE BLOCCO BRUCIATORE	СИГНАЛЬНАЯ ЛАМПОЧКА БЛОКИРОВКИ ГОРЕЛКИ
LF1	LAMPADA SEGNALAZIONE FUNZIONAMENTO BRUCIATORE	СИГНАЛЬНАЯ ЛАМПОЧКА РАБОТЫ ГОРЕЛКИ
LSPG1	LAMPADA SEGNALAZIONE BLOCCO CONTROLLO TENUTA VALVOLE	СИГНАЛЬНАЯ ЛАМПОЧКА БЛОКИРОВКИ БЛОКА КОНТРОЛЯ ГЕРМЕТИЧНОСТИ КЛАПАНОВ
PS1	PULSANTE SBLOCCO FIAMMA	КНОПКА СБРОСА БЛОКИРОВКИ ПЛАМЕНИ
ST	SERIE TERMOSTATI/PRESSOSTATI	РЯД ТЕРМОСТАТОВ/РЕЛЕ ДАВЛЕНИЯ
TAB	TERMOSTATO/PRESSOSTATO ALTA-BASSA FIAMMA	ТЕРМОСТАТ/РЕЛЕ ДАВЛЕНИЯ БОЛЬШОГО/МАЛОГО ПЛАМЕНИ

Data	26/06/2008	PREC.	FOGLIO
Revisione	00	1	2
Dis. N.	TAB_2	SEGUE	TOTALE
		/	1

APPENDIX

SIEMENS LME11/21/22 CONTROL BOX

The series of equipment LME.. is used for the startup and supervision of 1- or 2- stage gas burners. The series LME.. is interchangeable with the series LGB.. and LMG.., all diagrams and accessories are interchangeable, the main features are:

- Indications of error codes by a signalling multicolor LED in the lockout reset button;
- Programmer fix times for the digital management of signals.

Comparative table

LGB Series	LMG Series	LME Series
---	LMG 25.33	LME 11.33
LGB 21.33	LMG 21.33	LME 21.33
LGB 22.33	LMG 22.33	LME 22.33

Preconditions for burner startup

- Burner control must be reset
- All contacts in the line are closed, request for heat
- No undervoltage
- Air pressure switch LP must be in its "no-load" position
- Fan motor or AGK25 is closed
- Flame detector is darkened and there is no extraneous light

Undervoltage

Safety shutdown from the operating position takes place should mains voltage drop below about AC 175 V (at UN = AC 230 V)

Restart is initiated when mains voltage exceeds about AC 185 V (at UN = AC 230 V).

Controlled intermittent operation

After no more than 24 hours of continuous operation, the burner control will initiate automatic controlled shutdown followed by a restart.

Reversed polarity protection with ionization




If the connections of live conductor (terminal 12) and neutral conductor (terminal 2) are mixed up, the burner control will initiate lockout at the end of the safety time "TSA".

Control sequence in the event of fault

If lockout occurs, the outputs for the fuel valves, the burner motor and the ignition equipment will immediately be deactivated (< 1 second).

Operational status indication

In normal operation, the different operating states are showed by means of the multicolor LED, inside the lockout reset button:

 red LED	Steady on
 yellow LED
 green LED	○... Off

During startup, status indication takes place according to the table:

Status	Color code	Color
Waiting time tw, other waiting states	○.....	Off
Ignition phase, ignition controlled	●●●●●●●●	Flashing yellow
Operation, flame ok	□.....	Green
Operation, flame not ok	□○□○□○□○□○	Flashing green
Extraneous light on burner startup	□▲□▲□▲□▲□▲	Green - red
Undervoltage	●▲●▲●▲●▲	Yellow - red

Status	Color code	Color
Fault, alarm	▲.....	Red
Error code output (refer to "Error code table")	▲○ ▲○ ▲○ ▲○	Flashing red

START-UP PROGRAM

As far as the startup program, see its time diagram:

A Start command (switching on)

This command is triggered by control thermostat / pressure controller «R». Terminal 12 receives voltage and the programming mechanism starts running. On completion of waiting time «tw» with the LME21..., or after air damper «SA» has reached the nominal load position (on completion of «t11») with the LME22..., fan motor «M» will be started.

tw Waiting time

During the waiting time, air pressure monitor «LP» and flame relay «FR» are tested for correct contact positions.

t11 Programmed opening time for actuator «SA»

(Only with LME22...) The air damper opens until the nominal load position is reached. Only then will fan motor «M» be switched on.

t10 Specified time for air pressure signal

On completion of this period of time, the set air pressure must have built up, or else lockout will occur.

t1 Prepurge time

Purging the combustion chamber and the secondary heating surfaces: required with low-fire air volumes when using the LME21... and with nominal load air volumes when using the LME22.... The diagrams show the so-called prepurge time «t1» during which air pressure monitor «LP» must indicate that the required air pressure is available. The effective prepurge time «t1» comprises interval end «tw» through «t3».

t12 Programmed closing time for actuator «SA»

(Only with LME22...) During «t12», the air damper travels to the low-fire position.

t3 Preignition time

During «t3» and up to the end of «TSA», flame relay «FR» is forced to close. On completion of «t3», the release of fuel is triggered at terminal 4.

TSA Ignition safety time

On completion of «TSA», a flame signal must be present at terminal 1. That flame signal must be continuously available until shutdown occurs, or else flame relay «FR» will be deenergized, resulting in lockout.

t4 Interval BV1 and BV2-LR

Time between the end of TSA and the signal to the second fuel valve BV2 or to the load controller LR

B - B' Interval for flame establishment

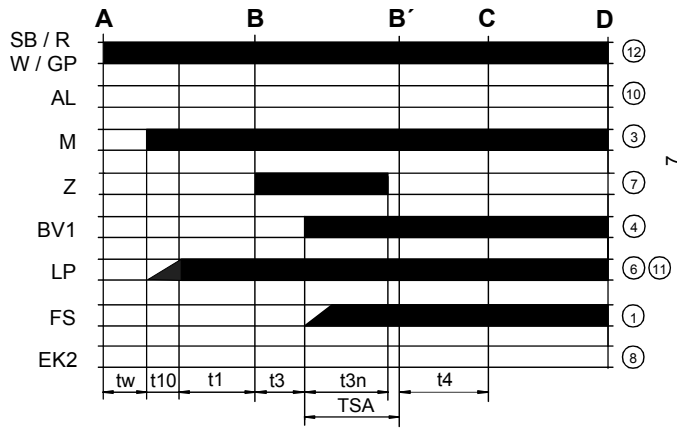
C Burner operation position

C - D Burner operation (heat production)

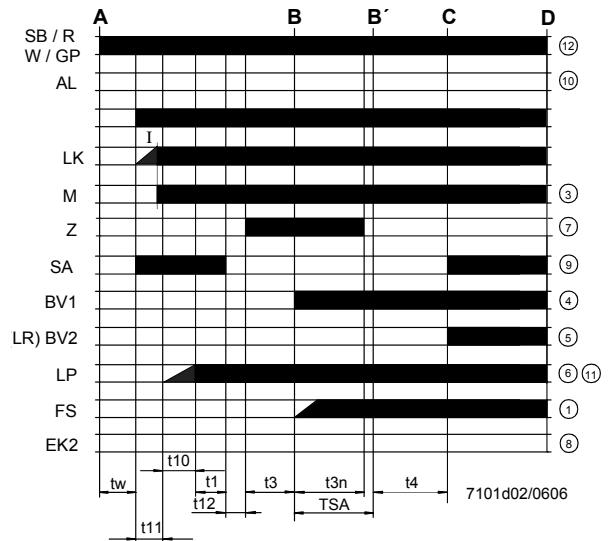
D Controlled by "R" shutdown

The burner stops and the control device is ready for a new startup.

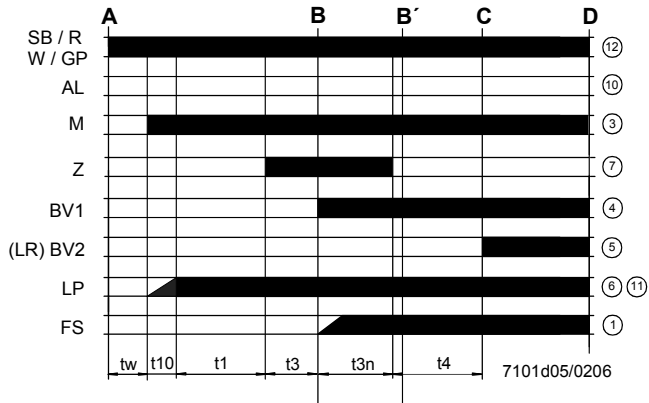
LME11 control sequence



LME22 control sequence



LME21 control sequence



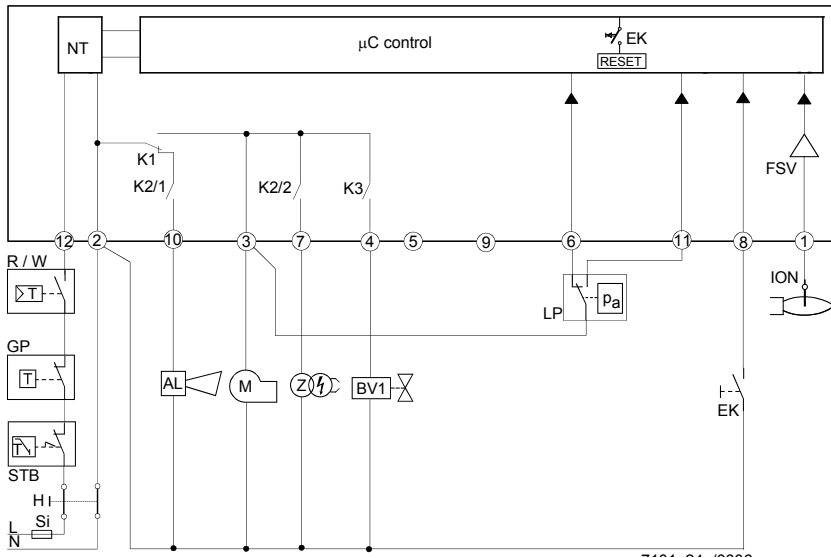
Control sequence

- t_w Waiting time
- t_1 Purge time
- TSA Ignition safety time
- t_3 Preignition time
- t_{3n} Postignition time
- t_4 Interval between BV1 and BV2/LR
- t_{10} Specified time for air pressure signal
- t_{11} Programmed opening time for actuator SA
- t_{12} Programmed closing time for actuator SA

7101d02/0606

7101d05/0206

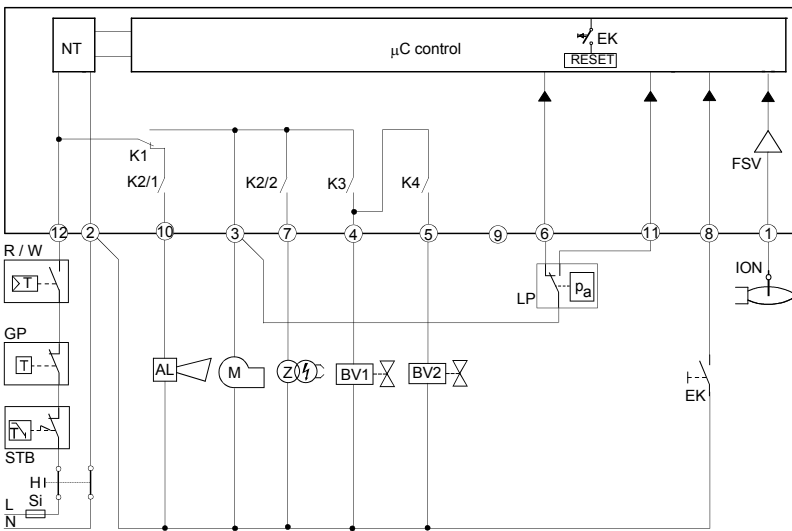
LME11 connection diagram



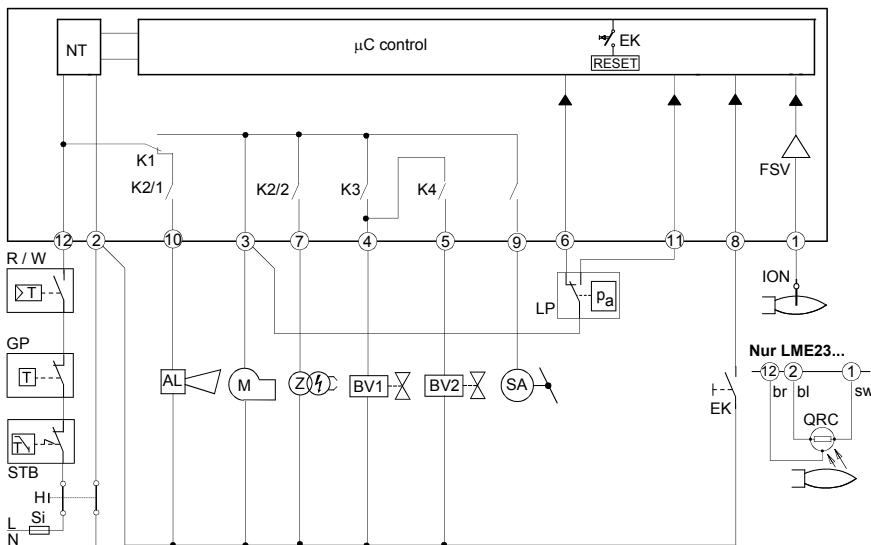
Connection diagram

- AL Error message (alarm)
- BV Fuel valve
- EK2 Remote lockout reset button
- FS Flame signal
- GP Gas pressure switch
- LP Air pressure switch
- LR Load controller
- M Fan motor
- R Control thermostat/pressurestat
- SB Safety limit thermostat
- W Limit thermostat /pressure switch
- Z Ignition transformer

LME21 connection diagram



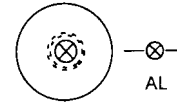
LME22 connection diagram



CONTROL PROGRAM IN THE EVENT OF FAULT

- If a fault occurs, all outputs will immediately be deactivated (in less than 1s).
- After an interruption of power, a restart will be made with the full program sequence.
- If the operating voltage drops below the undervoltage threshold, a safety shutdown is performed.
- If the operating voltage exceeds the undervoltage threshold, a restart will be performed.
- In case of extraneous light during "t1", a lockout occurs.
- In case of extraneous light during "tw", there is a prevention of startup and a lockout after 30 seconds.
- In case of no flame at the end of TSA, there will be max. 3 repetitions of the startup cycle, followed by a lockout at the end of TSA, for mod. LME11..; directly a lockout at the end of TSA for LME21-22 models.
- For LME11 model: if a loss of flame occurs during operation, in case of an establishment of flame at the end of TSA, there will be max. 3 repetitions, otherwise a lockout will occur.
- For LME21-22 models: if a loss of flame occurs during operation, there will be a lockout.
- If the contact of air pressure monitor LP is in working position, a prevention of startup and lockout after 65 seconds will occur.
- If the contact of air pressure monitor LP is in normal position, a lockout occurs at the end of t10.
- If no air pressure signal is present after completion of t1, a lockout will occur.

In the event of lockout, the LME.. remains locked and the red signal lamp (LED) will light up. The burner control can immediately be reset. This state is also maintained in the case of mains failure.



DIAGNOSTICS OF THE CASE OF FAULT

- Press the lockout reset button for more than 3 seconds to activate the visual diagnostics.
- Count the number of blinks of the red signal lamp and check the fault condition on the "Error code table" (the device repeats the blinks for regular intervals).

During diagnostics, the control outputs are deactivated:

- the burner remains shut down;
- external fault indication is deactivated;
- fault status is showed by the red LED, inside the LME's lockout reset button according to the "Error code table":

CONTROL BOX LOCKED

ERROR CODE TABLE	
2 blinks **	No establishment of flame at the end of TSA - Faulty or soiled fuel valves - Faulty or soiled flame detector - Inadequate adjustment of burner, no fuel - Faulty ignition equipment
3 blinks ***	The air pressure switch does not switch or remains in idle position: - LP is faulty - Loss of air pressure signal after t10 - LP is welded in normal position.
4 blinks ****	- Extraneous light when burner starts up.
5 blinks *****	- LP is working position.
6 blinks *****	Free.
7 blinks *****	Loss of flame during operation - Faulty or soiled fuel valves - Faulty or soiled flame detector - Inadequate adjustment of burner
8 ÷ 9 blinks	Free
10 blinks *****	Faulty output contacts - Wiring error - Anomalous voltage on output terminals - Other faults
14 blinks *****	- CPI contact not closed.

RESETTING THE BURNER CONTROL

When lockout occurs, the burner control can immediately be reset, by pressing the lockout reset button for about 1..3 seconds. The LME.. can only be reset when all contacts in the line are closed and when there is no undervoltage.

LIMITATION OF REPETITIONS (only for LME11.. model)

If no flame is established at the end of TSA, or if the flame is lost during operation, a maximum of 3 repetitions per controller startup can be performed via "R", otherwise lockout will be initiated. Counting of repetitions is restarted each time a controlled startup via "R" takes place.

TECHNICAL CHARACTERISTICS

Mains voltage	120V AC +10% / -15% 230V AC +10% / -15%
Frequency	50 ... 60 Hz +/- 6%
Power consumption	12VA
External primary fuse	max. 10 A (slow)
input current at terminal 12	max. 5 A
Thermostats cable length	max. 3 m
Index of protection	IP40 (to be ensured during mounting)
Operating conditions	-20... +60 °C, < 95% UR
Storage conditions	-20... +60 °C, < 95% UR
Weight	approx. 160 g



C.I.B. UNIGAS S.p.A.
Via L.Galvani, 9 - 35011 Campodarsego (PD) - ITALY
Tel. +39 049 9200944 - Fax +39 049 9200945/9201269
web site: www.cibunigas.it - e-mail: cibunigas@cibunigas.it

Note: Specifications and and data subject to change. Errors and omissions excepted.